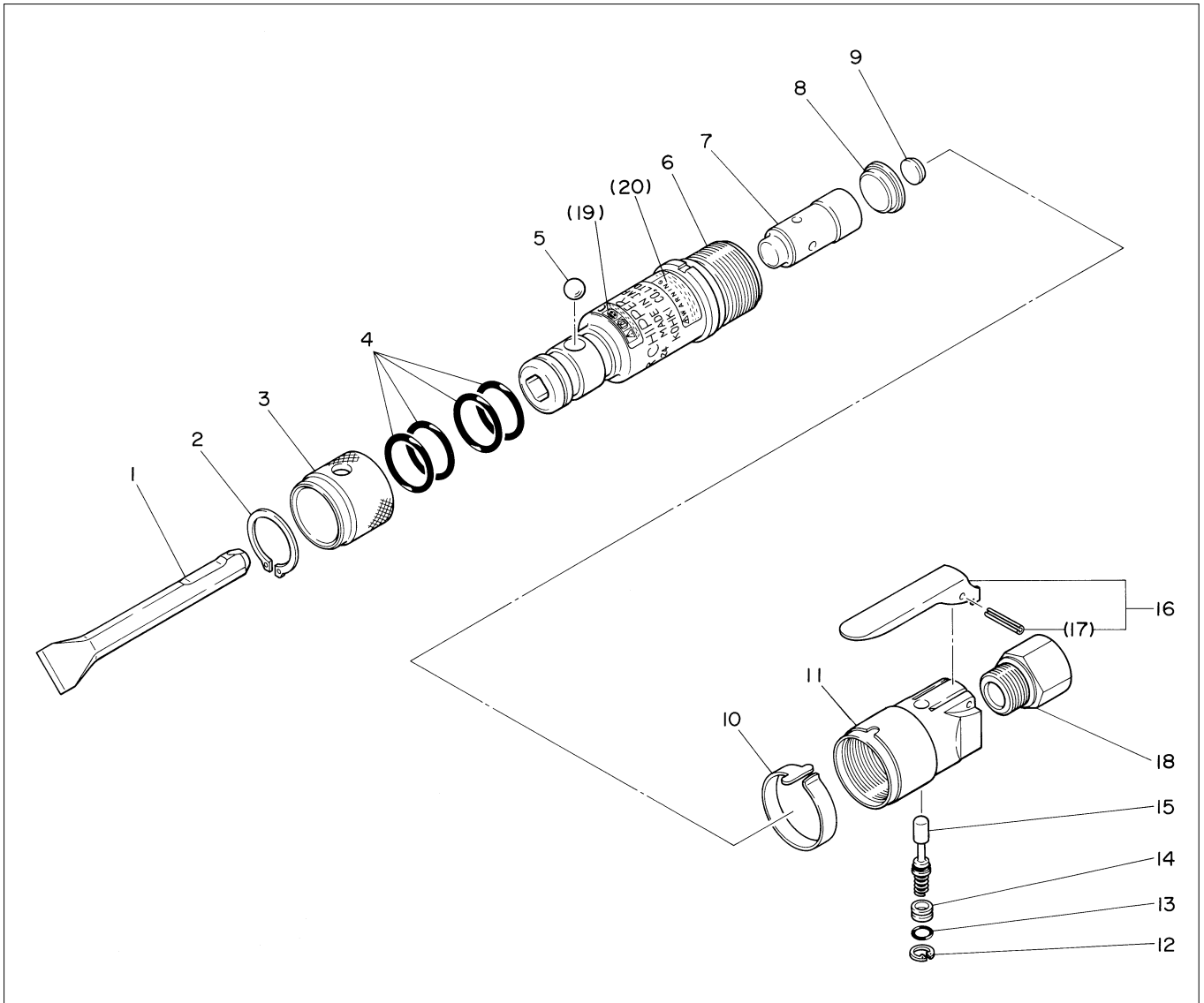


AIR CHIPPER CH-24 ASSEMBLY AND PARTS LIST



The parts numbers with () are included in the Ass'y parts written above them.

No.	Part No.	Part Name	Q'ty	Price
1	TP15166	Curved Flat Chisel 25 x 155	1	
2	TP15175	External Retaining Ring C-30	1	
3	TP15167	Stop Ring	1	
4	TP11986	O-Ring KS-19	4	
5	CP05002	Ball 7/16	1	
6	TB01773	Cylinder Ass'y	1 set	
19	(TQ02207)	Label Warning CE Mark	1	
20	(TQ02412)	Label Warning CH-24	1	
7	TP02242	Piston	1	
8	TP15168	End Plate	1	
9	TA99382	Rear Cushion Ass'y	1 set	
10	TP15170	Lock Band	1	
11	TP15171	Valve Body	1	

No.	Part No.	Part Name	Q'ty	Price
12	TP03695	Internal Retaining Ring C-12	1	
13	TP14604	O-Ring S-10	1	
14	TP14601	Valve Cap	1	
15	TA98983	Throttle Valve Ass'y	1 set	
16	TA96324	Throttle Lever Ass'y	1 set	
17	(TP00327)	Spring Pin 3 x 25	1	
18	TQ02349	Bushing M16 x PT3/8	1	

ACCESSORIES

	TQ02350	Bushing PT3/8 x NPT3/8	1	
	TQ03262	Hose Nipple PT3/8 x 3/8	1	
	TQ03450	Instruction Manual	1	