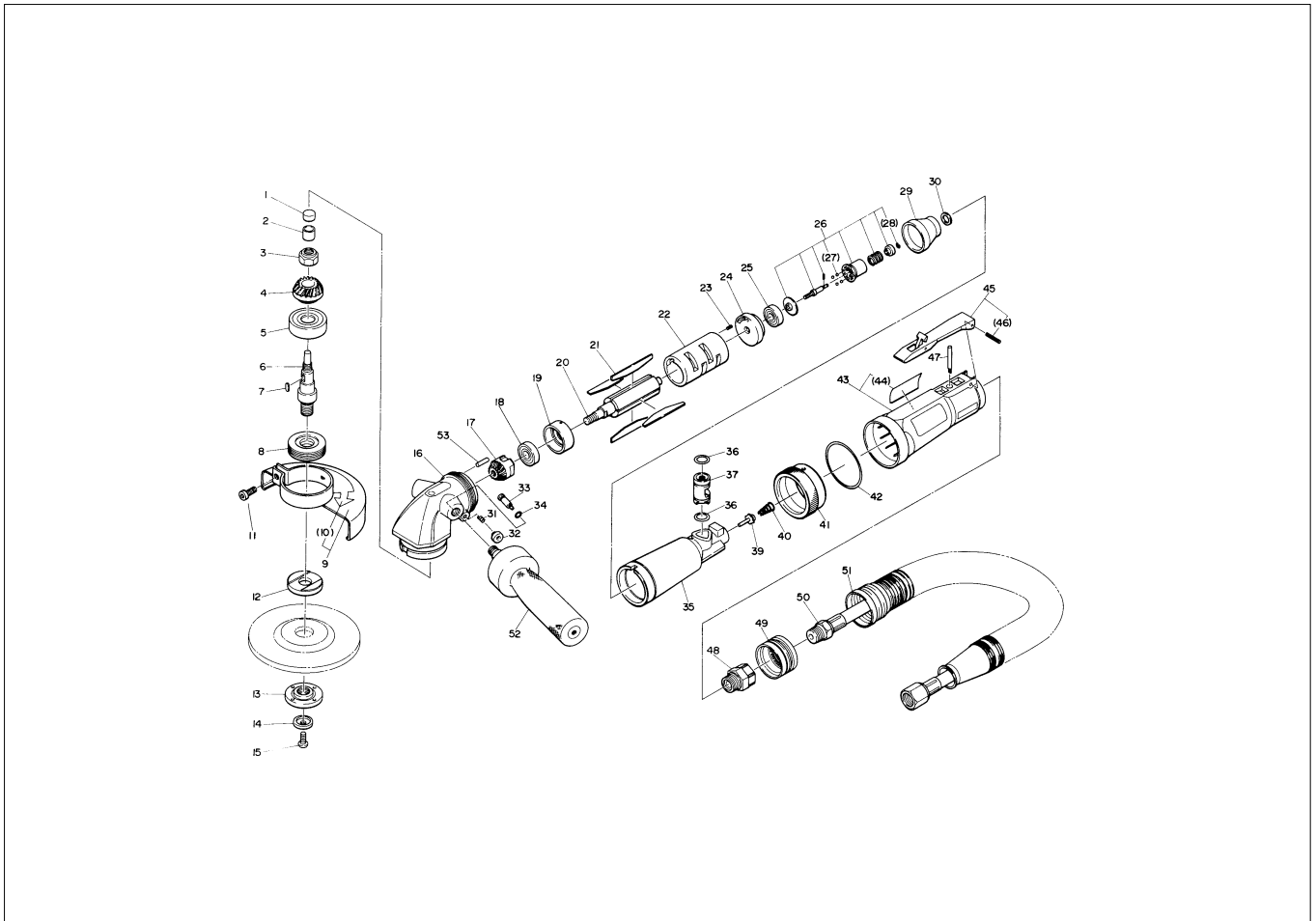


MYTON MAG-50 ASSEMBLY AND PARTS LIST



The part numbers with () are included in the Ass'y parts written above them.

No.	Part No.	Part Name	Q'ty	Price
1	TQ04100	Bearing Cover	1	
2	TQ04099	Needle Bearing HK0810	1	
3	TQ04107	Hex. Nut M10 U Nut	1	
4	TQ04415	Gear 1.25 x 29	1	
5	TP04201	Ball Bearing 6302ZZ	1	
6	TQ04105	Spindle	1	
7	TQ04106	Parallel Key Both Ends Round 4 x 4 x 8	1	
8	TB03202	Bearing Set Screw Ass'y	1 set	
9	TB04573	Wheel Guard Ass'y	1 set	
10	(TQ04121)	Label Warning for Wheel Guard	1	
11	(TQ10953)	Hex. Socket Screw 6 x 18	1	
12	TQ04123	Driving Flange	1	
13	TQ04124	Outer Flange	1	
14	TQ04139	Washer 6.3 x 21 x 4.5	1	
15	TP14688	Hex. Socket Button Head Screw 6 x 15	1	
16	TQ06043	Gear Head	1	
17	TQ04414	Pinion 1.25 x 19	1	
18	TP00498	Ball Bearing 6001ZZ	1	
19	TQ04091	End Plate B	1	
20	TQ04087	Rotor	1	
21	TB03297	Blade Ass'y (4 pcs.)	1 set	
22	TQ04088	Cylinder	1	
23	TP04061	Spring Pin 3 x 6	1	
24	TQ04090	End Plate A	1	
25	TP00468	Ball Bearing 608ZZ	1	
26	TB03198	Governor Ass'y	1 set	
27	(CP01181)	Ball 5/32	4	
28	(TP14930)	Retaining Ring E ETW-2.3	1	
29	TQ04097	Governor Cover	1	
30	TQ04110	Washer 9 x 14 x 2.2	1	

No.	Part No.	Part Name	Q'ty	Price
31	TQ04103	Spring 0.6 x 8.3 x 13.75	1	
32	TQ04104	Lock Button	1	
33	TQ04101	Spindle Lock	1	
34	TQ04102	O-Ring SS-060	1	
35	TQ04109	Housing	1	
36	TP11998	O-Ring P-12	2	
37	TQ04111	Adjust Valve	1	
39	TB03205	Throttle Valve Ass'y	1 set	
40	CP00876	Valve Spring	1	
41	TQ04112	Lock Ring	1	
42	TP06625	O-Ring G-45	1	
43	TB03204	Grip Tube Ass'y	1 set	
44	(TQ04114)	Label Warning	1	
45	TB01388	Throttle Lever Ass'y	1 set	
46	(TP00460)	Spring Pin 3 x 22	1	
47	TQ04115	Throttle Pin	1	
48	TQ04119	Busing M16 x Rc3/8	1	
49	TQ04130	Exhaust Hose Mount	1	
51	TQ04129	Exhaust Hose	1	
53	TP12618	Needle Roller 3 x 11.8	1	

ACCESSORIES

No.	Part No.	Part Name	Q'ty	Price
50	TB03208	Air Hose Sub Ass'y	1 set	
	TB03209	Exhaust Hose Ass'y	1 set	
52	TB03216	Side Handle Ass'y	1 set	
	TP01939	Hex. Socket Screw Key 4	1	
	TQ04125	Pin Face Wrench	1	
	TQ02350	Bushing PT3/8 x NPT3/8	1	
	TQ02364	Instruction Manual	1	