

# INSTRUCTION MANUAL

TP15214-B



# MYTON



## Specification

Model	MAS-40
Rated Air Pressure	0.6MPa (6kgf/cm <sup>2</sup> )
Air Consumption at Free Speed	0.45m <sup>3</sup> /min
Rated Speed (Maximum Free Speed)	13,000min <sup>-1</sup>
Sanding Disc Dia.	φ 100mm (4")
Sound Pressure Level	(ISO 15744) 79dB (A)
Sound Power Level	
Vibration Level (ISO 8662-8)	1.0m/s <sup>2</sup>
Mass (Weight)	0.9kg
Thread Size of Air Inlet	Rc1/4 (PT1/4)

Due to continuous product development/improvement the specifications and configurations in this document are subject to change without prior notice.



TOMORROW'S HAND TOOL ENGINEERING TODAY  
**NITTO**  
NITTO KOHKI CO., LTD.

9-4, Nakaikegami 2-chome, Ohia-ku, Tokyo, Japan  
Tel: Tokyo 3755-1111 Cable Address: NITTOHIND TOKYO  
Fax: 3753-8791

Distributed by:

Thank you for purchasing a Myton product. We are confident the tool will meet your expectation in power and performance and provide years of efficient on-the-job service and dependability.

These Myton products are designed to help you do a better job in less time and with less effort through unique speed and efficiency features.

Your dealers as well as Nitto Kohki agents provide servicing for these products and provide information for proper tool operation for matters not covered in this instruction manual. Nitto Kohki takes pride in its modern hand tool engineering and is confident you will be satisfied with products.

Please take the time to read and become familiar with this instruction manual and the safety rules set forth which are for your protection.

## **SAFETY RULES**

**IMPORTANT: READ ALL INSTRUCTIONS BEFORE USING!**

1. Always wear safety goggles or other eye protection when using these products and face or duct mask if necessary.
2. Always have wheel guard in place when operating grinder.
3. Keep work area clean and uncluttered.
4. Do not expose products to rain or operate products in damp or wet places.
5. Only operate products in well lit work area.
6. Keep children and others away from work area.
7. Keep tools stored in dry protected area out reach of children.
8. Make sure you use the right tool for the job to avoid misuse or forcing of tool.
9. Maintain and service tools for better and safe performance.
10. Dress properly with overalls or work outfit to avoid loose clothing or jewelry getting caught in moving parts. Keep long hair covered or protected.
11. Never operate tools faster than its rated speed.
12. Look for damaged parts. Do not use a wheel that is chipped or cracked or wet from water from water or any other liquid.
13. If new or different grinding wheel is used hold tool under a bench or in a way to avoid the path of broken wheel parts should the wheel be defective and run the tool for sixty seconds from this safe position.
14. Do not operate tools near flammable liquids or gaseous or explosive atmospheres as sparks could ignite fumes.
15. Use only identical replacement parts.

## Preface

Myton is precision pneumatic tool designed to display maximum performance in daily sanding operations. Your care in handling Myton is however, important its performance is to be realized over a long period of time. This instruction manual is prepared to equip you with the knowledge necessary to keep Myton on the job efficiently.

## 1. Main Applications

- Polishing steel, cast iron, and nonferrous metals.
- Deburring welded and fused connections.
- Polishing stainless steel, vessel plates, and vehicle plates.
- Finishing fiber, synthetic resin, and molded products.
- Finishing Metallic dies.
- Removing base paint from metal surfaces.
- All finishing jobs that normally would be made using a file or chisel.

**MAS-40** is a light-duty sander that uses a sanding disc;

### **WARNING**

Do not USE MAS-40 with a depressed center wheel.

## 2. Safety Warnings

- Using sander improperly could result in serious injury.

Read the following instruction.

### 2-1. CHECK SPINDLE SPEED

Daily before using, WITH NO WHEEL ON TOOL, check spindle speed with a tachometer.

### 2-2. RPM ON WHEEL MUST EXCEED SANDER RPM.

If the max. wheel RPM indicated on the wheel is less than Tool RPM, the wheel may break off and will cause dangerous scattering of broken pieces.

### 2-3. ALWAYS WEAR EYE PROTECTION

Always wear safety goggles or Other eye protection when using these products and let persons close the operating spot wear safety goggles in order to protect eyes from ground dusts. We also re-

commend the use of dust mask as well.

### 2-4. DONT TOUCH WHEEL AND ROTATING PARTS

Do not your hands, hair clothing, etc., come into contact with the rotating parts when starting up and operating the tool.

### 2-5. DISCONNECT AIR HOSE

When changing the wheel or the sanding disc, be sure to disconnect from the air line to avoid unintentional start which may cause danger.

### 2-6. PROTECT BODY

Make sure to protect yourself by wearing gloves, long-sleeved shirts, etc. while operating the tool because ground dusts are apt to scatter during the operations.

### 2-7. DO NOT USE IN HAZARDOUS AREAS

Never use the tool in dangerous zones where flammable materials such as lacquer paint, thinner, benzene, gasoline, bonding glue, etc. are stored.

### 2-8. CHECK BEFORE BEGINNING WORK

Before starting with operation, check if all the screws on each part are firmly in place and no parts are missing.

### 2-9. DON'T RECONSTRUCT OR MODIFY

Never use this tool if it is reconstructed or modified and when parts are removed. Never use this tool without the wheel guard. Otherwise, unexpected accidents may take place due to scattering of the ground dusts or broken pieces of wheel.

## 3. Cautions for use

### 3-1. AIR PRESSURE

Air pressure largely determines tool performance. Myton is designed to be operated at a gauge pressure of 0.6Mpa (6kgf/cm<sup>2</sup>). A lower pressure range reduces performance.

### **WARNING**

If this tool is operated at higher pressure than the rated one, it will rotate excessively fast and the wheel may break off causing injury and parts may break down.

### 3-2. AIR LINE (Fig. 1)

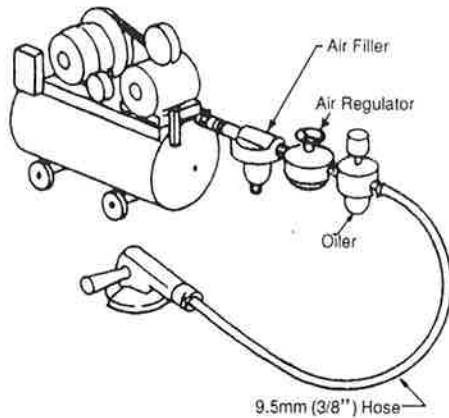


Fig. 1

Use a 3/8" air hose between the compressor and the tool. Compressed air is cooled and its water content separated, as soon as the air leaves the compressor. A portion of the water content, however, is condensed in the piping, and can enter the tool mechanism, and may cause trouble. So, install an air filter and an oiler between the compressor and the tool.

### 3-3. AIR HOSE

Blow compressed air through the supply hose connecting the tool.

### 3-4. LUBRICATION

Before connecting the hose apply 4 or 5 drops of # 10 machine oil at the air inlet. (No lubrication is required when oiler is used) Use of a thicker oil can lead to reduced performance or malfunction, if a thicker oil is used by accident, wash it away immediately. Also, every 1 or 2 hours of operation oiling is necessary.

### 3-5. DOUBLE LOCK SAFETY LEVER (Fig. 2)

Before gripping the throttle lever, release the safety lock lever mounted on the rear of throttle lever to unlock the safety lock.

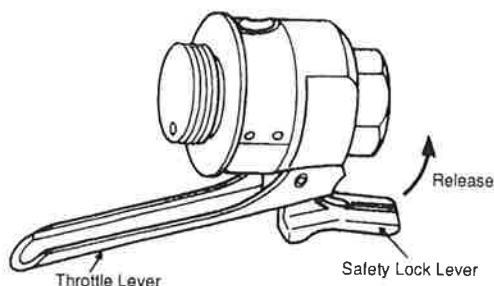


Fig. 2

## 4. Sanding disc

Use 100mm (4") diameter sanding discs with 16mm arbor hole for MAS-40.

### ⚠ WARNING

Do not use MAS-40 with a depressed center wheel

## 5. Storage

Avoid storing the tool in a high humid location. If the tool is left as it is used, residual moisture on the inside can cause rusting. Before storing and after operation oil the tool at the hose coupling opening with spindle oil and run it for a short time.

### ⚠ WARNING

Keep this tool out of reach of children.

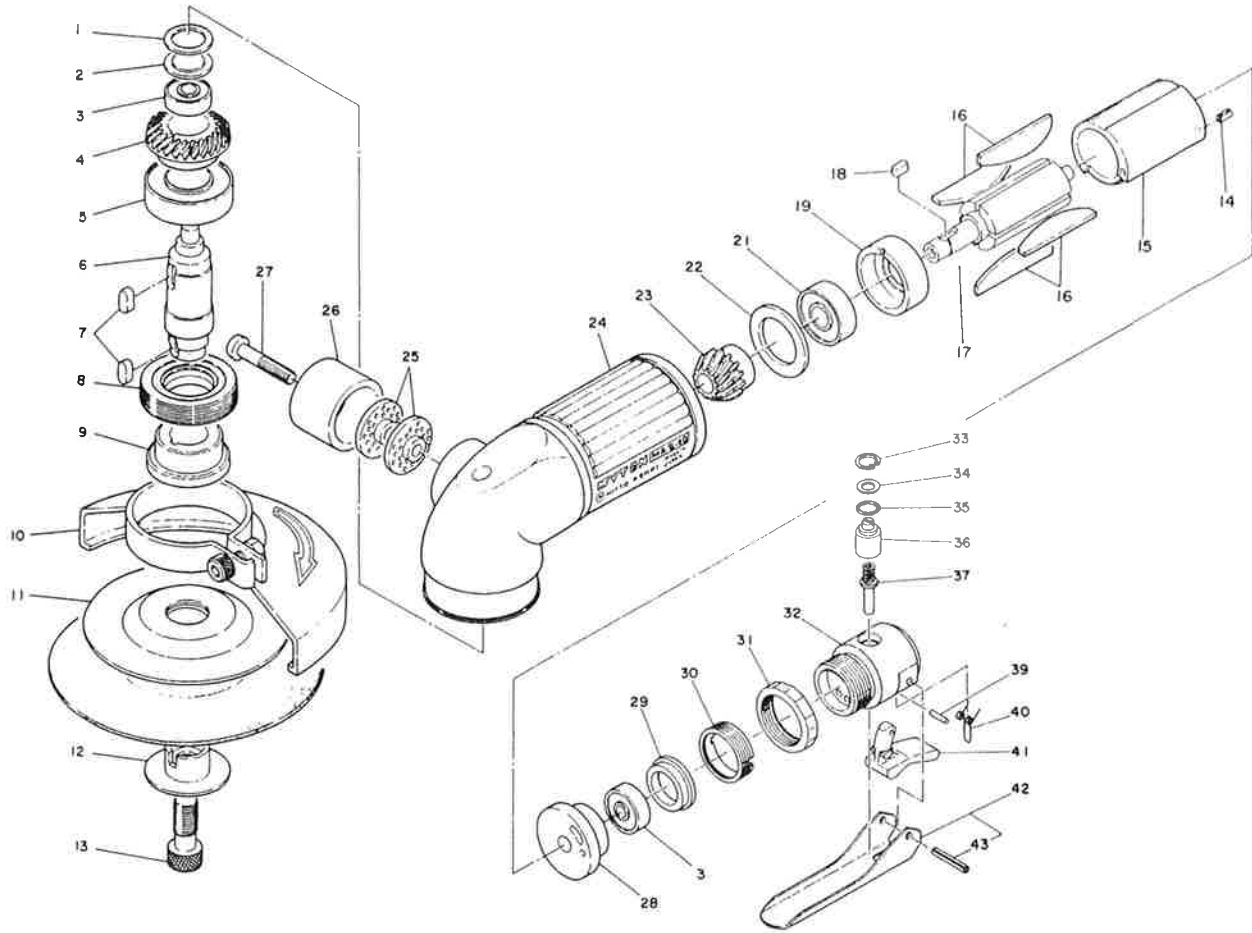
## 6. Ordering Service Parts

- ★ For further operational and handling information or replacement of parts and components, contact the safe agent from whom you purchased the tool or the service division of our company.
- ★ In ordering parts and components, give each part number, name and part quantity.

# SAVE THESE INSTRUCTIONS



## 7. Myton (MAS-40) Assembly and Parts List



No.	Parts No.	Parts Name	Q'ty	Price	No.	Parts No.	Parts Name	Q'ty	Price
1	TP10826	Packing	1		26	TP14041	Exhaust Cover	1	
2	TP10100	Bearing Cover	1		27	LPO8450	Cross-recessed Pan Head Machine Screw 5×25	1	
3	TP03933	Ball Bearing 606ZZ	2		28	TP10109	End Plate A	1	
4	TP10116	Gear	1		29	TP10110	Cap	1	
5	TP00539	Ball Bearing 6002ZZ	1		30	TP10098	Lock Nut	1	
6	TP14933	Spindle	1		31	TP03468	Lock Ring	1	
7	TP00502	Sunk Key 4×4×9.5	2		32	TP15211	Valve Body	1	
8	TA91054	Bearing Set Screw Ass'y	1set		33	TP03695	Retaining Ring C-12	1	
9	TP10213	Lock Plate	1		34	TP06326	Spacer 6×12×1.2	1	
10	TA99145	Wheel Guard Ass'y	1set		35	TP11997	O Ring KS-7	1	
11	TP14948	Sanding Pad	1		36	TP06325	Adjust Valve	1	
12	TP14944	Disc Lock φ16	1		37	TA99300	Valve Stem Ass'y	1set	
13	TP09932	Disk Lock Bolt	1		39	TP09434	Spring Pin 2×12	1	
14	TP00496	Spring Pin 2.5×6	1		40	TP14340	Torsion Coil Spring	1	
15	TP06121	Cylinder	1		41	TP14339	Lock Lever	1	
16	TA9A287	Blade Ass'y (4 pcs.)	1set		42	TA96253	Throttle Lever Ass'y	1set	
17	TQ06119	Rotor	1		43	(TP01921)	Spring Pin 3×18	1	
18	TP10107	Sunk Key 3×3×8	1						
19	TP14931	End Plate B	1						
21	TP00468	Ball Bearing 608ZZ	1			TP00474	Single Ended Spanner 17	1	
22	TP10101	Spacer 19×28×2	1			TP00170	Hexagon Wrench Key 6	1	
23	TP10113	Pinion	1			TP02236	Reducer PT1/4×NPT1/4	1	
24	TA99150	Housing Ass'y	1set			TP02380	Hose Nipple NPT1/4×3/8	1	
25	TP14040	Silencer Plate	2						



**NITTO KOHKI CO., LTD.**

2-9-4, Nakaikagami, Ota-ward,  
Tokyo, 146-8555, Japan  
Tel: (03) 3755-1111 Fax: (03) 3753-8791  
<http://www.nitto-kohki.co.jp>

**NITTO KOHKI U.S.A ., INC.**

4525Turnberry Drive, Hanover Park, IL 60103, U.S.A  
Tel: (630)924-9393 Fax: (630)924-0303

**NITTO KOHKI EUROPE CO., LTD.**

Unit21 The Empire Centre, Imperial Way, Watford, Herts. WD24 4TS, UK  
Tel: (01923)239668 Fax: (01923)248815

**NITTO KOHKI DEUTSCHLAND GMBH**

Lerchenstr. 47, D-71144 Steinenbronn, Germany  
Tel: 49-7157-22436 Fax: 49-7157-22437

**NITTO KOHKI CO., LTD. SINGAPORE BRANCH**

10 Ubi Crescent #01-62, Ubi Techpark Lobby D, Singapore 408564  
Tel: 6227-5360 Fax: 6227-0192

**NITTO KOHKI AUSTRALIA PTY. LTD.**

77 Brandl Street Brisbane Technology Park Eight Mile Plains QLD4113, AUSTRALIA  
Tel: (07)3340-4600 Fax: (07)3340-4640