

For Air

Purge Hi Cupla

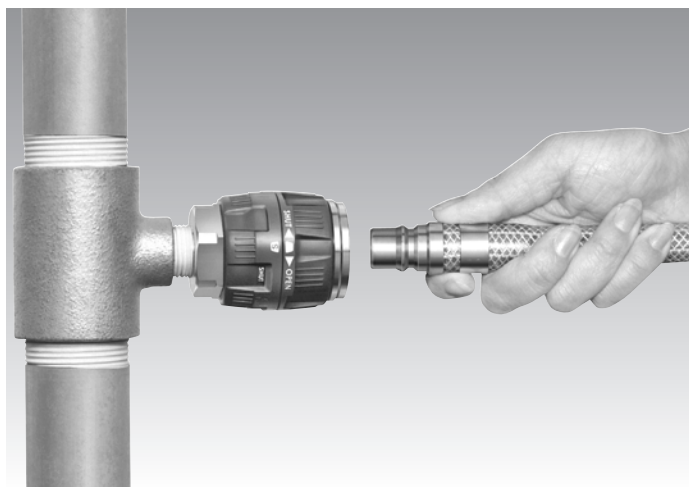
PVR Type

Air line coupling with built-in residual air pressure release function

Working pressure
1.5
1.5 MPa
(15 kgf/cm²)

Valve structure
One-way shut-off

Applicable fluid
Air



Connection can be made smoothly regardless of the existing pressure inside the socket.

- Push-to-connect operation. Easy one-hand operation.
- The sleeve lock function prevents unexpected disconnection.
- Upon completion of sleeve locking the valve will open to supply air.
- When the sleeve is turned back to the original position, the valve is closed and purges residual air in the plug without unpleasant popping noise and hose whip on disconnection.
- Even after connection, valve opening/closing control is possible.
- Flow rate increases by approximately 20% over that of Hi Cupla Model 400SM.
- Can be connected with plugs of Hi Cupla Models 400, 600 and 800.

Specifications				
Body material	Zinc Die Cast, brass, and others			
Size	1/2" (400 type) • 3/4" (600 type) • 1" (800 type)			
Working pressure MPa (kgf/cm ²)	1.5 (15)			
Pressure resistance MPa (kgf/cm ²)	2.0 (20)			
Seal material	Seal material	Mark	Working temperature range	Remarks
Working temperature range	Nitrile rubber Hydrogenated nitrile rubber	NBR (SG)	-5°C~+60°C	Standard material

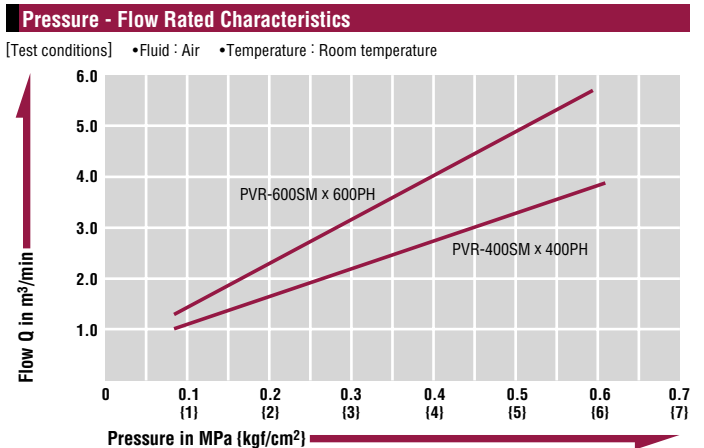
Max. Tightening Torque		N·m (kgf·cm)		
Size	1/2"	3/4"	1"	
Torque	30 (306)	50 (510)	65 (663)	



Interchangeability
Can be connected with plugs of Hi Cupla Models 400, 600 and 800.

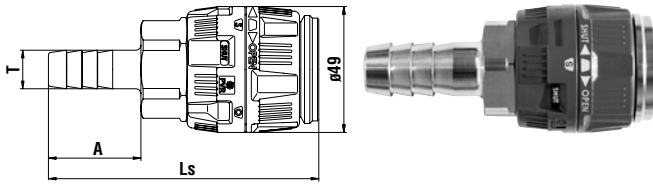
Model	Min. Cross-Sectional Area (mm ²)					
	400PH	400PM/PF	600PH	600PM/PF	800PH	800PM/PF
PVR-400SH	64	71	71	71	71	71
PVR-400SM/SF	64	116	116	116	116	116
PVR-600SH	64	116	116	116	116	116
PVR-600SM/SF	64	116	116	116	116	116
PVR-800SH	64	116	116	116	116	116
PVR-800SM/SF	64	116	116	116	116	116

Suitability for Vacuum
Not suitable for vacuum application in either connected or disconnected condition.



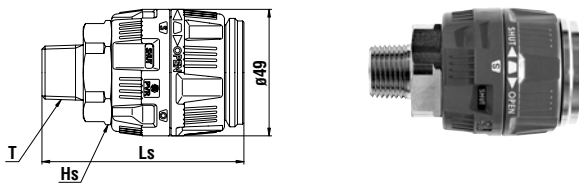
Models and Dimensions WAF : WAF stands for width across flats.

Socket SH type (Hose barb)



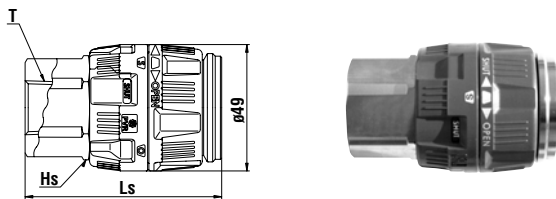
Model	Application (Hose)	Mass (g)	Dimensions (mm)		
			Ls	A	øT
PVR-400SH	1/2"	380	105	36	15
PVR-600SH	3/4"	361	109	45	21
PVR-800SH	1"	440	118	55	27

Socket SM type (Male thread)



Model	Application	Mass (g)	Dimensions (mm)		
			Ls	Hs(WAF)	T
PVR-400SM	Rc 1/2	327	78	Hex.35	R 1/2
PVR-600SM	Rc 3/4	345	82	Hex.35	R 3/4
PVR-800SM	Rc 1	374	84	Hex.35	R 1

Socket SF type (Female thread)

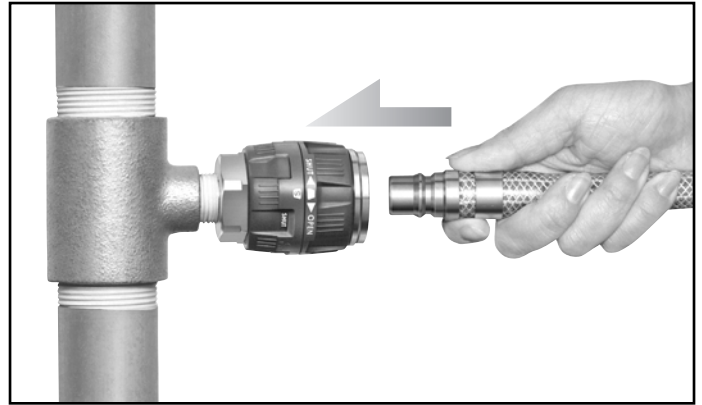


Model	Application	Mass (g)	Dimensions (mm)		
			Ls	Hs(WAF)	T
PVR-400SF	R 1/2	394	76	Hex.35	Rc 1/2
PVR-600SF	R 3/4	370	77	Hex.35	Rc 3/4
PVR-800SF	R 1	440	82	Hex.41	Rc 1

Function of Purge Hi Cupla PVR Type

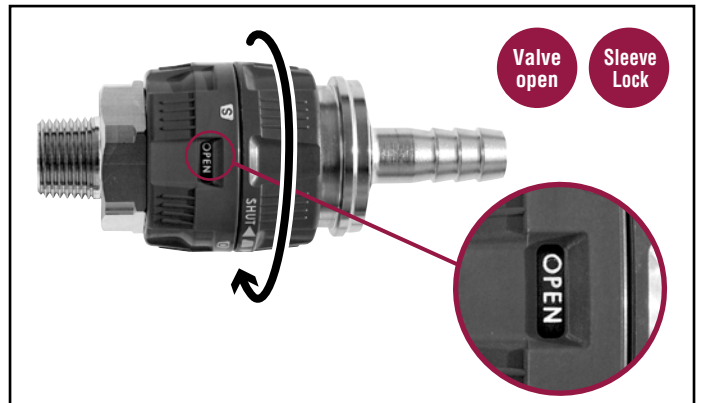
1. Connection

Valve opening/closing operation and plug connection to socket can be made independently. Push-to-connect operation is achieved regardless of existing pressure inside the plug.



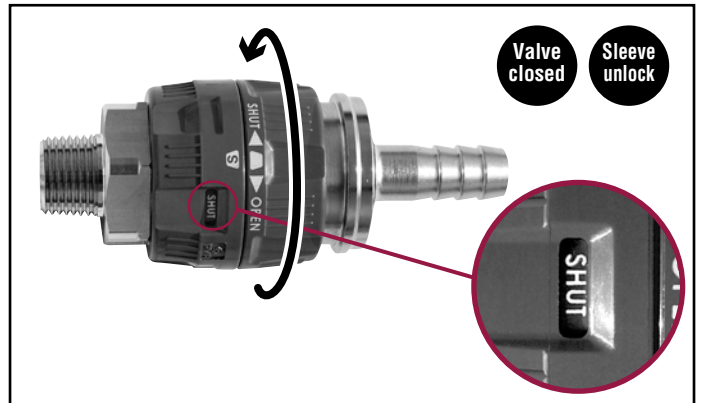
2. Open the valve and lock the sleeve.

Turning the operation ring will open the valve in the socket to supply air and lock the sleeve to prevent unexpected disconnection.



3. Valve close / Sleeve unlock

Turning the operation ring back to the original position will close the valve and stop air flow, release the residual air pressure in the plug, and unlock the sleeve.



4. Disconnection

Disconnection can be made without unpleasant noise and kick back due to no residual air pressure inside the plug.

