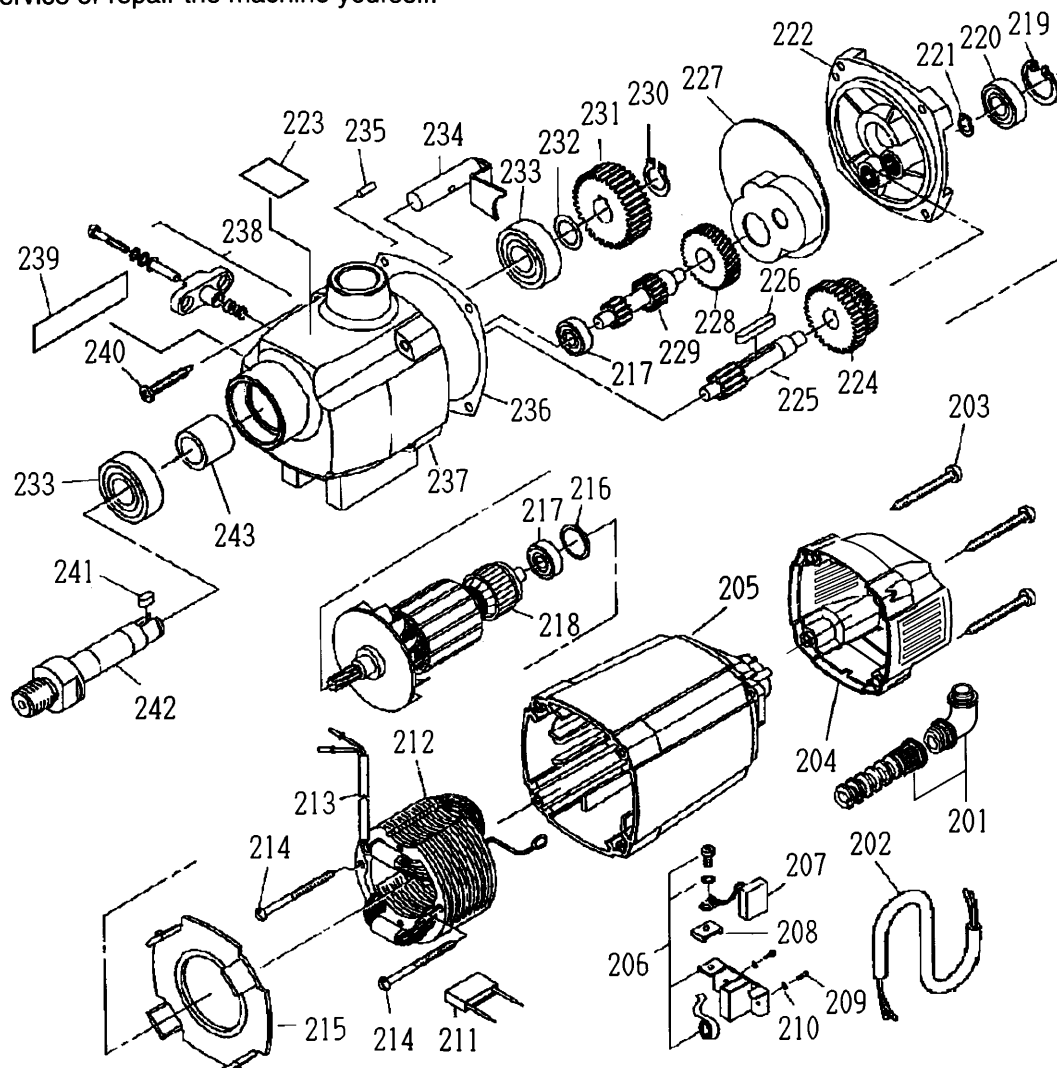


## 12 Exploded Diagram: Drill Motor

### ⚠ WARNING

This diagram is for reference only. Do not attempt to service or repair the Nitto Portable Magnetic Drilling Machine. Do not take the machine apart. Contact an authorized Nitto dealer for all service and repair of the machine. Improper service and repair can cause accidents and severe injuries. Never attempt to modify the machine. Never attempt to service or repair the machine yourself.



No.	Part No.	Part Name	Q'ty	Price
201	TQ06824	Cord Protector	1	
202	TQ06843	Connecting Cable	1	
203	TQ06819	Self Tapping Screw HC4.8x38	4	
204	TQ11172	Cap	1	
205	TQ06850	Motor Housing	1	
206	TB05193	Brush Holder Ass'y	1set	
207	TB05187	Carbon Brush Ass'y	1set	
208	TQ06838	Contact Washer	1	
209	TQ06828	Screw ZM4x12	2	
210	TQ06820	Spring Washer B4	2	
211	TQ06851	Condenser	1	
212	TB07201	Stator Ass'y	1set	
213	TQ06852	Insulating Tubing	1	
214	TQ06849	Self Tapping Screw HC3.9x60	2	
215	TQ06848	Air Guideing Ring	1	
216	TQ06839	O-Ring 22x2.5	1	
217	TP00468	Ball Bearing 608ZZ	2	
218	TB07203	Armature Ass'y	1set	
219	TP01036	Internal Retaining Ring C28	1	
220	TP00498	Ball Bearing 6001ZZ	1	
221	TP06390	External Retaining Ring C11	1	
222	TB05479	Bearing Bracket Ass'y	1set	

No.	Part No.	Part Name	Q'ty	Price
223	TQ10648	Label Caution Change	1	
224	TQ07076	Gear Block 34/40Z	1	
225	TQ07075	Pinion Shaft 13Z	1	
226	TQ07077	Key A5x5x28	1	
227	TQ06825	Grease Chamber	1	
228	TQ07069	Intermediate Gear 34Z	1	
229	TQ07070	Pinion Shaft 11/17Z	1	
230	CP04989	External Retaining Ring C15	1	
231	TQ07073	Spindle Gear 45Z	1	
232	TQ07074	Fitting Washer 15x22x0.2	1	
233	TQ06830	Ball Bearing 6203LLU	2	
234	TB05399	Coupling Bolt Ass'y	1set	
235	TQ06842	Notched Pin 4x12	1	
236	TQ06844	Gear Case Seal	1	
237	TB05478	Gear Case Ass'y	1set	
238	TB05398	Gear Changer Ass'y	1set	
239	TQ10647	Label Change Knob	1	
240	TQ06840	Self Tapping Screw HC4.8x50	4	
241	TQ07072	Key A5x5x12	1	
242	TQ07071	Spindle	1	
243	TQ11028	Collar	1	