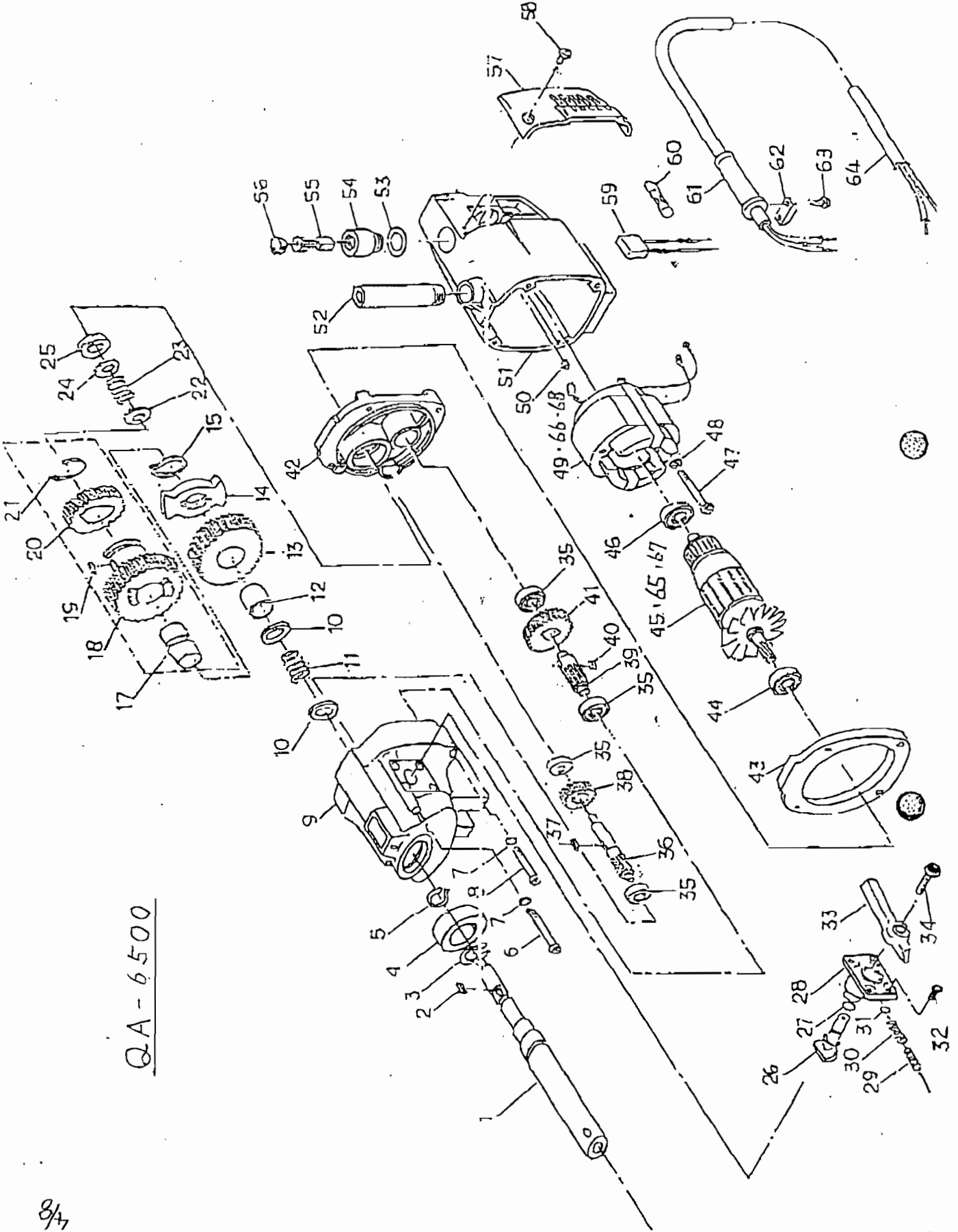


QA 6500



QA-6500

4/8

## Price list for spare parts of QA-6500

5/8  
1998/2/23

No.	Part Name	Electric Drill		F.O.B. Japan in JPY	
		Part No.	Q'ty	F.O.B. Price	Remark
1-1	Spindle Arbor	TQ02521-1	1		
1-2	Spindle Arbor (Taiwan)	TQ03175-1	1		New Parts
2	Sunk Key 4x4x7 sq	TQ00979-0	1		
3	Retaining Ring C-47	CP20569-0	1		
4	Ball Bearing 6005Z	TP17382-0	1		
5	Retaining Ring C-25	CQ02200-0	1		
6	+Pan Head Screw 5x145	TQ00980-0	2		
7	Spring Washer M5	TP00513-0	4		
8	+ Pan Head Screw 5x80	TQ00981-0	2		
9	Gear Case	TQ00982-0	1		
10	Plain Washer 25.2x32x1	TP16502-0	2		
11	Spring (L)	TP16501-0	1		
12	Bush	TP06503-0	1		
13	Spiral Gear B-L Ass'y	TP16504-0	1		
14	Boss	TP16505-0	1		
15	Retaining Ring C-20	CP03040-0	1		
16	Spiral Gear B-H Ass'y	TB00750-1	1 SET		
17	Needle Bearing HK2012	TQ00976-0	2		
18	Spiral Gear	TQ00977-0	1		
19	Sunk Key 5x5x7	TP16497-0	1		
20	Spiral Gear	TQ00983-0	1		
21	Retaining Ring C-32	TP17384-0	1		
22	Plain washer 20.2x26x1	TP16507-0	1		
23	Spring H	TP16508-0	1		
24	Plain Washer 15.2x24.2x1	TP16509-0	1		
25	Ball Bearing 6020	TP17383-0	1		
26	Cam Shaft	TQ00984-0	1		
27	O ring P-6	TQ09421-0	1		
28	Guide Boss	TP16490-0	1		
29	Hex. Socket Set Screw 4x8	TP18684-0	1		
30	Coil Spring	TP16493-0	1		
31	Steel Ball	TP16492-0	1		
32	+ Screw 4x12 with washer	TP17385-0	4		
33	Lever SM-378284-1	TP16489-0	1		
34	Hex. Bolt 4x14	TP09693-0	1		
35	Ball Bearing 629	TP17380-0	4		
36	Pinion L	TQ00985-0	1		
37	Sunk Key 4x4x10 sq.	TP16506-0	1		
38	Spiral Gear S	TQ00986-0	1		
39	Pinion H	TQ00867-0	1		
40	Sunk Key 3x3x7	TP13351-0	1		