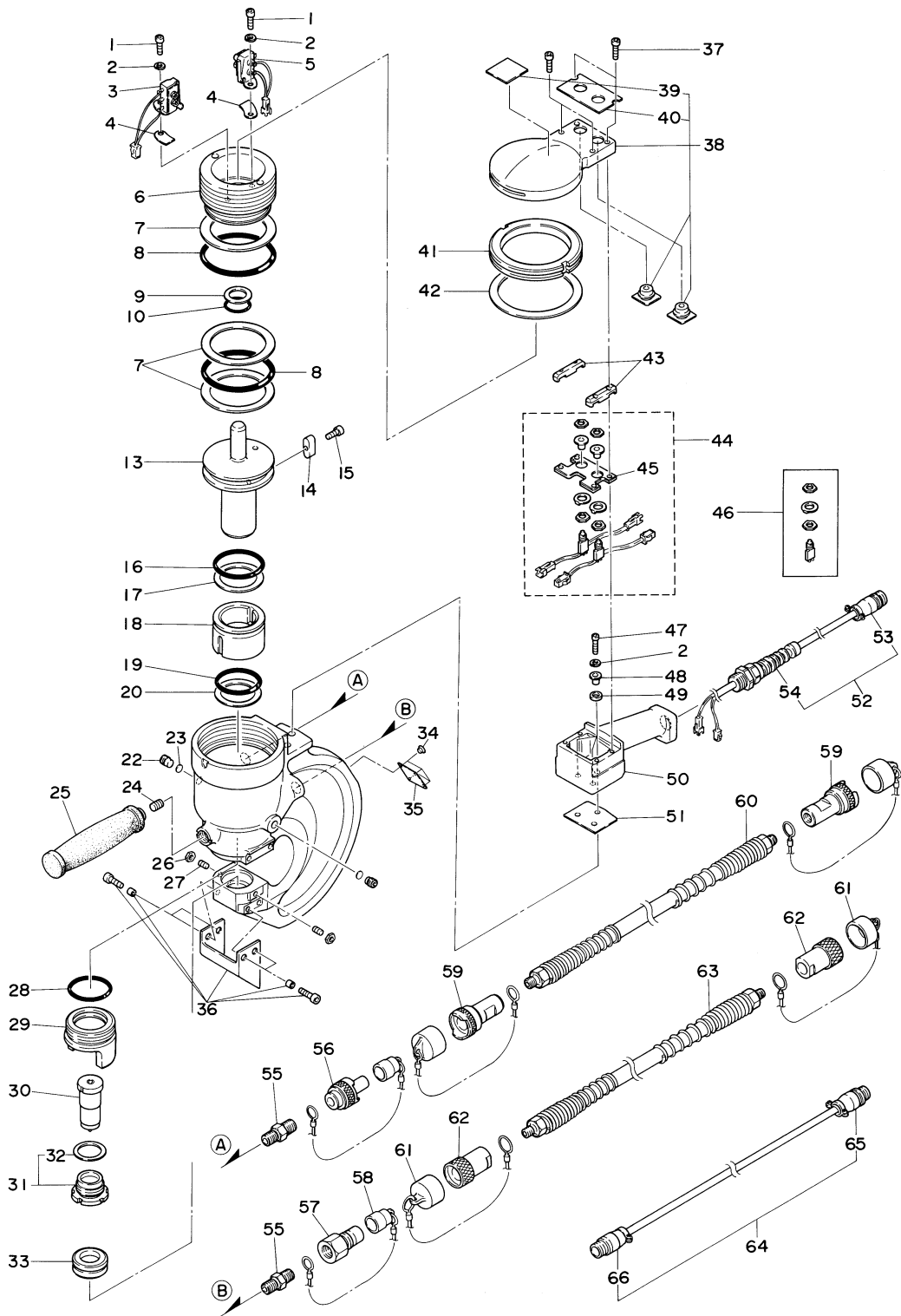


SELFER ACE HS07-1624, HS11-1624 ASSEMBLY



SELFER ACE HS07-1624, HS11-1624 PARTS LIST

The parts numbers with () are included in the Ass'y parts written above them.

No.	Part No.	Part Name	Q'ty	Price
1	TP01644	Hex. Socket Head Cap Screw 6 x 12	2	
2	TP00629	Spring Washer M6	5	
3	TB02278	Limit Switch Lower End Ass'y	1 set	
4	(TQ02047) (TQ02048)	Sim 1.0 (for Adjustment) Sim 0.5 (for Adjustment)		
5	TB02277	Limit Switch Upper End Ass'y	1 set	
6	TQ02014	Cap	1	
7	TQ02015	Back-up Ring P-85 T3	3	
8	TQ02011	O-Ring P-85 PUR	2	
9	CP23977	Back-up Ring P-20 T2	1	
10	TQ02016	O-Ring P-20	1	
13	TQ02005	Ram	1	
14	TQ02006	Parallel Key 10 x 8 x 22	1	
15	TP06342	Hex. Socket Head Cap Screw 4 x 10	1	
16	TQ02002	O-Ring P-60 PUR	1	
17	TQ02003	Back-up Ring P-60 T2	1	
18	TQ01999	Bushing	1	
19	TQ02000	O-Ring P-45 PUR	1	
20	TQ02001	Back-up Ring P-45 T2	1	
22	TQ02054	Set Screw	2	
23	TQ02055	Copper Packing 10 x 15	2	
24	TQ02004	Hex. Socket Set Screw with Dog Point 8 x 16	1	
26	TQ01050	Small Hex. Nut M8	2	
27	TQ02304	Hex. Socket Set Screw with Cone Point 8 x 20	2	
28	CP28124	O-Ring P-45	1	
29	TQ02043	Stripper	1	
30	TJ06676	D Punch 22	1	
31	TA99036	Lock Nut Ass'y	1 set	
32	(TP07009)	Urethane Washer 31 x 40 x 3.1	1	
33	TJ06677	D Die 22	1	
34	TP05136	Drive Rivet NO.2 x 4.8	4	
35	TQ03224	Plate Model Number (HS07-1624)	1	
35	TQ03226	Plate Model Number (HS11-1624)	1	
37	TP04154	Hex. Socket Head Cap Screw 4 x 16	4	
38	TB02463	Head Cover Ass'y	1 set	
39	(TQ03223)	Label Warning	1	
40	(TQ03222)	Label Switch	1	
41	TQ02027	Lock Ring	1	
42	TQ02197	Folding washer	1	
43	TQ02051	Spacer	2	
44	TB02387	Switch Plate Ass'y	1 set	
45	(TB01924)	Switch Plate Sub Ass'y	1 set	

No.	Part No.	Part Name	Q'ty	Price
46	(TP13751)	Push Switch MBU 106F-11	2	
47	TP10953	Hex. Socket Head Cap Screw 6 x 18	3	
48	TQ02044	Distance Collar M6	3	
49	TQ02045	Washer 10 x 18 x 2	3	
50	TQ02038	Grip	1	
51	TQ02046	Grip Sheet	1	
52	TB02389	Metal Consent Cord Ass'y	1 set	
53	(TQ02036)	Metal Consent Relay Plug SRCN1A13-5P	1	
54	(TQ02219)	Cord Stopper BS-9	1	
55	TQ02142	Nipple R3/8 x R3/8	2	
56	CA94119	700R-3P Cap Ass'y	1 set	
57	CA82240	450B-3P Ass'y	1 set	
58	CB09421	450B-3P-D Ass'y	1 set	

ACCESSORIES

No.	Part No.	Part Name	Q'ty	Price
25	TA92089	Sub Handle Ass'y	1 set	
36	TB02230	Chip Guard Ass'y	1 set	
59	CA94118	700R-3S Cap Ass'y	2 sets	
60	TP05184	Ultra-high Pressure Hose	1	
61	CA96464	3S Cap Ass'y	2 sets	
62	CB00126	450B-3S All Ass'y	2 sets	
63	TQ02569	High Pressure Hose	1	
64	TB02390	Switch Cord Ass'y	1 set	
65	(TQ02568)	Metal Consent Straight Plug SRCN6A13-5P	1	
66	(TQ02567)	Metal Consent Straight Plug SRCN6A13-5S	1	
	TP01939	Hex. Socket Screw Key 4	1	
	TP04004	Hex. Socket Screw Key 5	1	
	TP06012	Spanner	1	
	TP17991	Spanner 12	1	
	TP10198	Tool Box	1	
	TQ03228	Instruction Manual	1	