



KW-1600Spro

New

1/2" SQ. DRIVE IMPACT WRENCH



LIGHTEST WEIGHT
1.46kg

HIGHER TORQUE
330N·m

LOWEST NOISE
78dB(A)

SPECIFICATION: (Performance figures are at 0.62 MPa(90 P.S.I.)air pressure.)

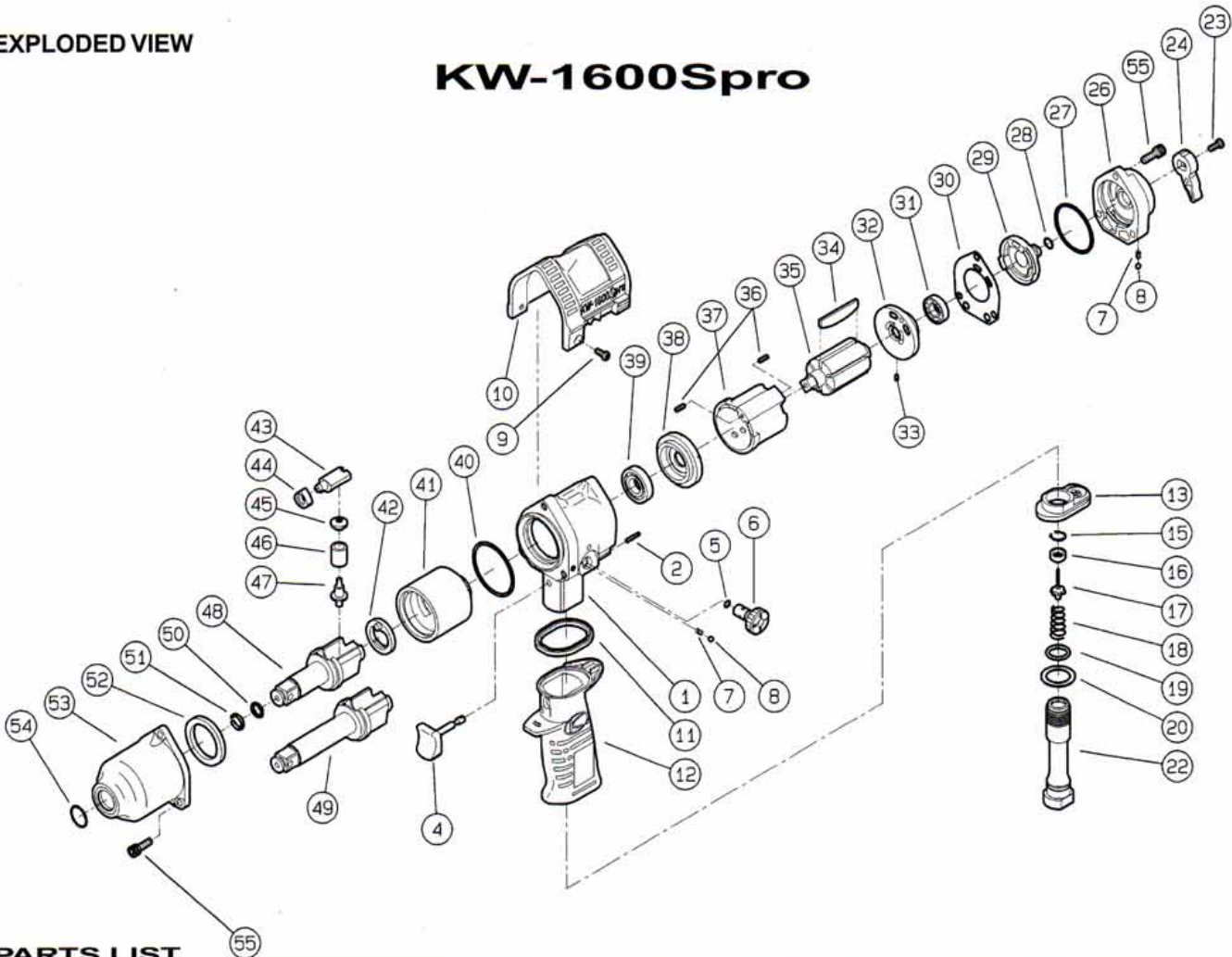
Capacity Of Bolt Size	16mm	5/8"
Impact Per Min.	1,500	
Free Speed R.P.M.	8,000	
Recommended Torque	100~330N·m.	74~244 ft.-lb.
Length	165mm.	6-1/2"
Weight	1.46kg.	3.2 lbs.
Side To Center Distance	28mm.	1-1/8"
Air Consumption	0.30m ³ /min.	10.7 c.f.m.
Hose Size Recommendation	6.3mm.	1/4"
Air Inlet Thread Size	1/4"*	

*IMPORTANT: P.T. or N.P.T. for your choice.

*This tool dose not need to be used under higher air pressure to achieve its maximum torque. Continuous operation under higher air pressure more than 0.62 MPa or 90 P.S.I. can lead the tool to the cause of component failure and shortage life.

EXPLODED VIEW

KW-1600Spro



PARTS LIST

REF. NO. on DRAW	PART NUMBER	PART NAME	Q'YT.	REF. NO. on DRAW	PART NUMBER	PART NAME	Q'YT.
1	0516081B	Motor Case C.P.	1	28	Z041S9	"O" Ring	1
2	Z05625×16	Spring Pin	1	29	0516015B	Reversing Valve	1
				30	0516006B	Mortor Gasket	1
4	0516012C	Throttle Lever	1	31	Z001EE3	Ball Bearing	1
5	Z041S6	"O" Ring	1	32	0516024B	Rear End Plate	1
6	0516017B	Regulating Knob	1	33	Z05625×8B	Spring Pin	1
7	0114194	Knock Spring	2	34	0108922	Rotor Blade	6
8	Z0104D	Steel Ball	2	35	0516021B	Rotor	1
9	Z0804×10	Tapping Screw	2	36	Z0563×8	Spring Pin	2
10	05160041C	Protector	1	37	0516020C	Cylinder	1
11	05160016B	Grip Gasket	1	38	0516023	Front End Plate	1
12	05160011C	Grip	1	39	Z001EE4	Ball Bearing	1
13	05160815B	Grip End C.P.	1	40	Z041S42	"O" Ring	1
				41	0516026	Hammer Wheel	1
15	Z03012	Stop Ring	1	42	0516050	Retainer	1
16	0516010B	Throttle Valve Seat	1	43	0516028	Anvil Piece	1
17	05160131BA	Throttle Valve	1	44	0516027	Cam	1
18	0114190	Throttle Valve Spring	1	45	0516052B	Plunger B	1
19	Z040P14	"O" Ring	1	46	0516053A	Spring	1
20	0516075B	Washer	1	47	0516051B	Plunger A	1
				48	05160843B	Anvil C.P.	1
22	0516011C	Inlet Bushing	1	49	05160844A	2" Anvil C.P.	1
23	Z0704×10	Tapping Scre	1	50	Z040P9	"O" Ring	1
24	0516016B	Reversing Lever	1	51	0114134	Retainer Ring	1
				52	0516029	Spacer	1
26	05160881B	Case Cover Unit	1	53	0516082B	Impact Housing C.P.	1
26	0516088B	Case Cover C.P.	1	54	Z040P17J1	"O" Ring	1
27	Z04340015	"O" Ring	1	55	Z0665×16A	Bolt	6

KUKEN CO., LTD.

P.O. BOX 20 FUJIIERA, OSAKA 583-0871 JAPAN
 3-6-15, NONOUE, HABIKINO-SHI, OSAKA JAPAN
 TEL : 81-729-53-0601
 FAX : 81-729-53-0605
<http://www.kuken.co.jp>