



MODEL **KW-2000P**

IMPACT WRENCH

3/4" SQ. DRIVE



Original "N-type" Impact Wrench

"with an innovative no-hammer clutch system newly developed by KUKEN."

Do not operate with air pressure about 6.3 kg/cm² !

FEATURES:

- Excellent power, compactness and light-weight with minimum vibration.
Most logical mechanism for incredible power to weight ratio among impact wrenches ever produced in the world.
- Accurate thread fastening works with patented N-clutch impact mechanism.
No loss of lubricant in the clutch facilitates this operation.
- Increased durability achieved by excellent clutches and less damage to bolts and nuts by "Shift-on" action.
- Rear exhaust for low noise level and operator's convenience.
- Minimum air consumption.

APPLICATIONS:

- Industrial use:
Machineries, construction works, ship buildings, industrial engine, etc.
- Automotive Service:
Wheel nuts, U-Bolts, General fleet maintenance, etc.

SPECIFICATIONS: (Performance figures are at 6.3 kg/cm² (90P.S.I.) air pressure.)

Capacity Bolt Size	25 mm	1 1/8"
Blows Per Min.	1,000	
Speed R.P.M.	5,500	
Maximum Torque	900 Nm	663 ft-lb
Recommended Torque	150~600 Nm	110~440 ft-lb
Length	189 mm	7 7/16"
Weight	3.2 kg	7.1 lbs
Side to Center Distance	31.5 mm	1 1/4"
Ave. Air consumption	150 l/min	5.5 c.f.m.
Hose Size Recommended	8 mm	5/16"
Air Inlet Thread Size	1/4 *	

* IMPORTANT: B.P.T. or N.P.T. for your choice.

* This tool does not require high air pressure to achieve its maximum torque continuous operation at pressure higher than 6.3 kg/cm² may cause component failure and shorter tool life.



OPERATION & MAINTENANCE

3/4" SQ. Drive Anvil

Reverse Lever

Trigger

Air Inlet Bushing

Put 2-3 teaspoons of 10W machine oil into air motor daily.



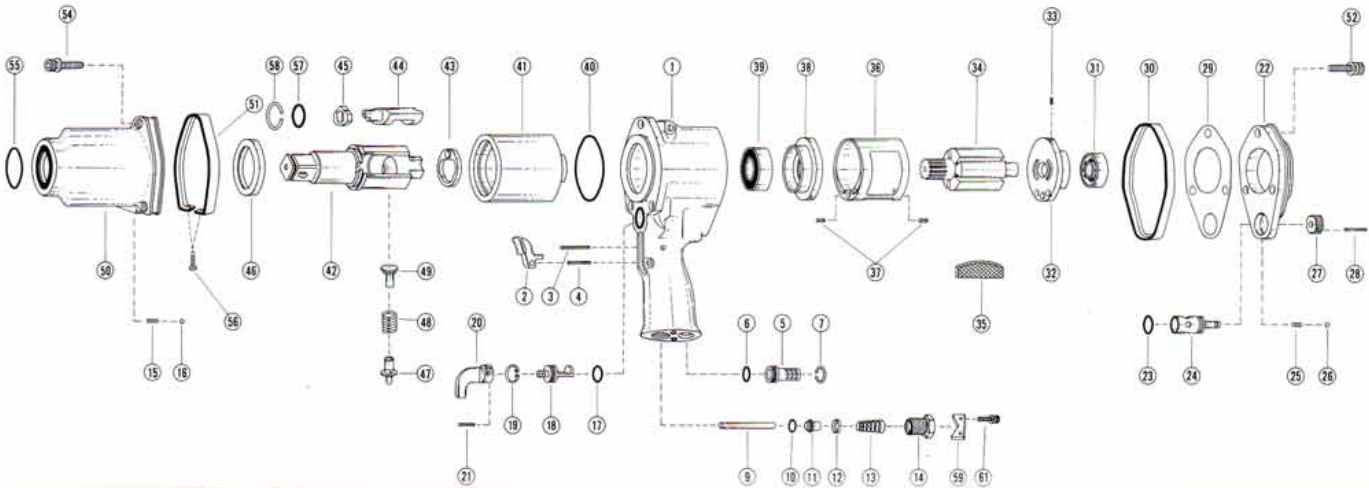
Power Regulator

Knob NO.4 is for maximum power. Please adjust regulator to obtain best suited torque.

Rear Exhaust with silencer

EXPLODED VIEW

KW-2000P/KW-2010P (Low Pressure)



PARTS LIST

REF. NO. on DRAW.	PART NUMBER	PART NAME	Q'TY.	REF. NO. on DRAW.	PART NUMBER	PART NAME	Q'TY.
1	0520081	Motor Case C.P.	1	32	0114124	Rear End Plate	1
2	0114112	Throttle Lever	1	33	Z0563 x 8	Pin	1
3	Z0563 x 22	Pin	1	34	0520021	Rotor	1
4	Z0563 x 18	Pin	1	35	0520022	Rotor Blade	5
5	0114640	Muffler	1	36	0114120	Cylinder	1
6	Z041S112	"O" Ring	1	37	Z0563 x 8	Spring Pin	2
7	0516041	Stop Ring	1	38	0520023	Front End Plate	1
9	0525013	Throttle Valve Pin	1	39	Z0016003Z	Ball Bearing	1
10	05250111	Plate	1	40	Z041S55	"O" Ring	1
11	0525011	Throttle Valve	1	41	0520026	Hammer Wheel	1
12	0525041	"O" Ring Cover	1	42	05200843A	Anvil C.P.	1
13	0525042	Throttle Spring	1	42	05200844A	2" Anvil C.P.	1
14	0516011	Inlet Bushing	1	43	0520050	Retainer	1
15	0114193	Spring	1	44	0520028	Anvil Piece	1
16	Z0104D	Steel Ball	1	45	0520027	Cam	1
17	Z040P10	"O" Ring	1	46	0520029	Bushing	1
18	0114115	Reversing Valve	1	47	0520051A	Plunger A	1
19	Z03015	Retainer Ring	1	48	0520053	Spring (2000P)	1
20	0525016	Reversing Lever	1	48	0520053L	Spring (2010P)	1
21	Z0563 x 16	Pin	1	49	0520052	Plunger B	1
22	0520088	Case Cover C.P. (2000P)	1	50	0520082	Impact Housing C.P.	1
22	0520088L	Case Cover C.P. (2010P)	1	51	0520072	Front Rubber Protector	1
23	Z040P10	"O" Ring	1	52	Z0666 x 18A	Bolt	3
24	0520017	Regulating Valve	1	54	Z0666 x 20A	Bolt	3
25	0114192	Spring	1	55	Z040P26	"O" Ring	1
26	Z0104D	Steel Ball	1	56	Z0804 x 12	Tapping Screw	2
27	0810610	Regulating Knob	1	57	Z040P14	"O" Ring	1
28	Z0563 x 16	Pin	1	58	0120128	Retainer Ring	1
29	0520006	Motor Gasket	1	59	0132309	Stopper	1
30	0520071	Rear Rubber Protector	1	61	Z0664 x 8A	Bolt	2
31	Z0016201	Ball Bearing	1				

KUKEN CO., LTD.

P.O. BOX 20, FUJIIIDERA OSAKA 583 JAPAN
 3-6-15, NONOUE, HABIKINO-SHI, OSAKA JAPAN
 PHONES, HANNAN: (0729) 53-0601
 FAX: (0729) 53-0605