



MODEL KW-3800P,PS

IMPACT WRENCH

1" SQ. and/or #5 SPLINE DRIVE



KW-3800P



KW-3800PS
with #5 spline anvil

Original "N-type" Impact Wrench

"with an innovative no-hammer clutch system newly developed by KUKEN."

This tool has been designed for use with input air pressure not greater than 0.62 MPa (90 P.S.I.).

FEATURES:

- Excellent power, compactness and light-weight with minimum vibration.
Most logical mechanism for incredible power to weight ratio among impact wrenches ever produced in the world.
- Accurate thread fastening works with patented N-clutch impact mechanism.
No loss of lubricant in the clutch facilitates this operation.
- Increased durability achieved by excellent clutches and less damage to bolts and nuts by "Shift-on" action.
- Handle exhaust for low noise level and operator's convenience.
- Minimum air consumption.

APPLICATIONS:

- Industrial use:
Construction works, Machineries, Shipbuildings, Steel fabrications, etc.
- Automotive Service:
Truck and trailer wheel nuts, U-Bolts.
Heavy duty works on all types of over road truck equipments, earth moving equipments, road construction equipments.

SPECIFICATIONS: (Performance figures are at 0.62 MPa (90 P.S.I.) air pressure.)

Capacity Bolt Size	38 mm	1 1/2"
Impacts Per Min.	700	
Speed R.P.M.	3,700	
Recommended Torque	300~1,370 Nm	216~991 ft-lb
Length: KW-3800P	254 mm	10"
KW-3800PS	265 mm	10 7/16"
Weight: KW-3800P	6.9 kg	15 3/16 lbs
KW-3800PS	7.0 kg	15 7/16 lbs
Side to Center Distance	45 mm	1 3/4"
Air Consumption	0.60 m ³ /min	21.4 c.f.m.
Hose Size Recommended	9.5 mm	3/8"
Air Inlet Thread Size		3/8"*

*IMPORTANT: P.T. or N.P.T. for your choice

*This tool does not require high air pressure to achieve its maximum torque. Continuous operation at pressure higher than 0.62 MPa may cause component failure and shorter tool life.



OPERATION & MAINTENANCE

1" SQ Drive Anvil

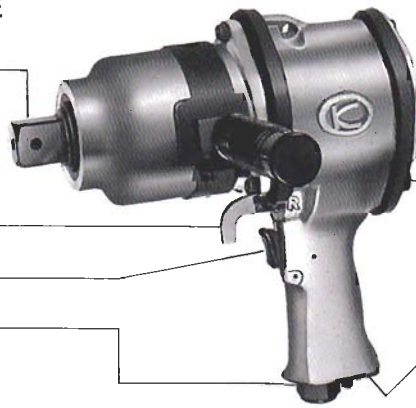
Replaceable with #5 spline drive anvil.

Reverse Lever

Trigger

Air Inlet Bushing

Put 2-3 teaspoons of 10W machine oil into air motor daily.



Power Regulator

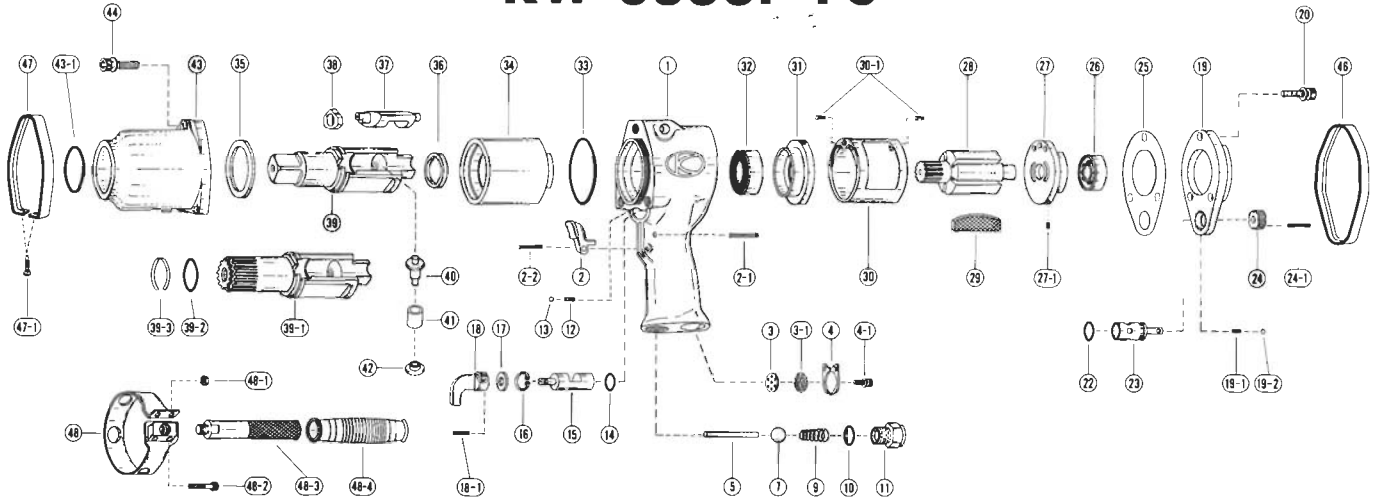
Knob NO.4 is for maximum power. Please adjust regulator to obtain best suited torque.

Handle Exhaust

with silencer.

EXPLODED VIEW

KW-3800P-PS



PARTS LIST

REF. NO. on DRAW.	PART NUMBER	PART NAME	Q'TY.	REF. NO. on DRAW.	PART NUMBER	PART NAME	Q'TY.
1	0538081A	Motor Case C.P.	1	27	0120302	Rear End Plate	1
2	0132306	Throttle Lever	1	27-1	Z0564 x 10	Spring Pin	1
2-1	Z0563 x 26	Pin	1	28	0538021B	Rotor	1
2-2	Z0563 x 16	Pin	1	29	0538022	Rotor Blade	5
3	0538055A	Muffler	1	30	0120304	Cylinder	1
3-1	0538056	Muffler Stopper	1	30-1	Z0564 x 10	Spring Pin	2
4	0545009	Stopper	1	31	0538023	Front End Plate	1
4-1	Z0665 x 10A	Bolt	2	32	Z0016205Z	Ball Bearing	1
5	0538013A	Throttle Valve Pin	1	33	Z041S75	"O" Ring	1
7	Z0119/16D	Throttle Valve Ball	1	34	0538026A	Hammer Wheel	1
9	0438342	Throttle Spring	1	35	0538029	Bushing	1
10	Z040P18	"O" Ring	1	36	0538050	Retainer	1
11	0438343	Inlet Bushing	1	37	0538028	Anvil Piece	1
12	0114193	Spring	1	38	0538027A	Cam	1
13	Z0104D	Steel Ball	1	39	0538030A	Anvil (G)	1
14	Z041S18	"O" Ring	1	39-1	05383841A	Anvil GS C.P.	1
15	0538015	Reverse Valve	1	39-2	Z040P26	"O" Ring	1
16	Z03018	Retainer	1	39-3	0132202	Retainer Ring	1
17	05380151	Reverse Valve Stopper	1	40	0538051B	Plunger A	1
18	0114116	Reverse Lever	1	41	0538053C	Spring	1
18-1	Z0563 x 16	Pin	1	42	0538052B	Plunger B	1
19	0538088	Case Cover C.P.	1	43	0538082A	Impact Housing C.P.	1
19-1	0114192	Spring	1	43-1	Z040P42	"O" Ring	1
19-2	Z0104D	Steel Ball	1	44	Z0666 x 25A	Bolt	3
20	Z0666 x 20A	Bolt	3	46	0538071	Rear Rubber Protector	1
22	Z040P14	"O" Ring	1	47	0538072	Front Rubber Protector	1
23	0538017	Regulating Valve	1	47-1	Z0804 x 12	Tapping Screw	1
24	0810610	Regulating Valve Knob	1	48	0538060	Band C.P.	1
24-1	Z0563 x 16	Spring Pin	1	48-1	Z0905	Nut	2
25	0538006	Housing Gasket	1	48-2	Z0665 x 20	Bolt	2
26	Z0016203	Ball Bearing	1	48-3	0120292	Dead Handle	1
				48-4	Z1075627	Grip	1

KUKEN CO., LTD.

P.O. BOX 20, FUJIIERA OSAKA 583-0871 JAPAN
 3-6-15, NONOUE, HABIKINO-SHI, OSAKA JAPAN
 TEL: 81-729-53-0601
 FAX: 81-729-53-0605
<http://www.kuken.co.jp>

CAT. NO.03.08