



MODEL **KW-4500P,PS**

IMPACT WRENCH

1" SQ. and/or # 5 SPLINE DRIVE



KW-4500P



KW-4500PS
with # 5 spline anvil

Original "N-type" Impact Wrench

"with an innovative no-hammer clutch system newly developed by KUKEN."

FEATURES:

- Excellent power, compactness and light-weight with minimum vibration.
Most logical mechanism for incredible power to weight ratio among impact wrenches ever produced in the world.
- Accurate thread fastening works with patented N-clutch impact mechanism.
No loss of lubricant in the clutch facilitates this operation.
- Increased durability achieved by excellent clutches and less damage to bolts and nuts by "Shift-on" action.
- Low noise level and minimum air consumption.

APPLICATIONS:

- Industrial use:
Construction works, Machineries, Shipbuildings, Steel fabrications, etc.
- Automotive Service:
Truck and trailer wheel nuts, U-Bolts.
Heavy duty works on all types of over road truck equipments, earth moving equipments, road construction equipments.

SPECIFICATIONS: (Performance figures are at 6.3 kg/cm² (90P.S.I.) air pressure.)

| | | |
|-------------------------|----------------|-----------------|
| Capacity Bolt Size | 48 mm | 1 7/8" |
| Blows Per Min. | 700 | |
| Speed R.P.M. | 4,000 | |
| Maximum Torque | 3,750 Nm | 2,760 ft-lb |
| Recommended Torque | 1,000~2,500 Nm | 740~1,840 ft-lb |
| Length: KW-4500P | 271 mm | 10 11/16" |
| KW-4500PS | 289 mm | 11 3/8" |
| Weight: KW-4500P | 10.4 kg | 22.9 lbs |
| KW-4500PS | 10.7 kg | 23.6 lbs |
| Side to Center Distance | 58 mm | 2 5/16" |
| Ave. Air Consumption | 280 l/min | 10.0 c.f.m. |
| Hose Size Recommended | 13 mm | 1/2" |
| Air Inlet Thread Size | 1/2" * | |

* IMPORTANT: B.S.P. or N.P.T. for your choice.



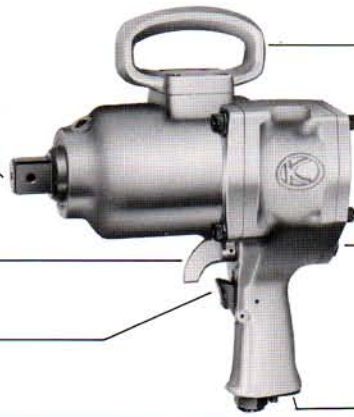
OPERATION & MAINTENANCE

1" SQ Drive Anvil

Replaceable with #5 spline drive anvil.

Reverse Lever

Trigger



Dead Handle

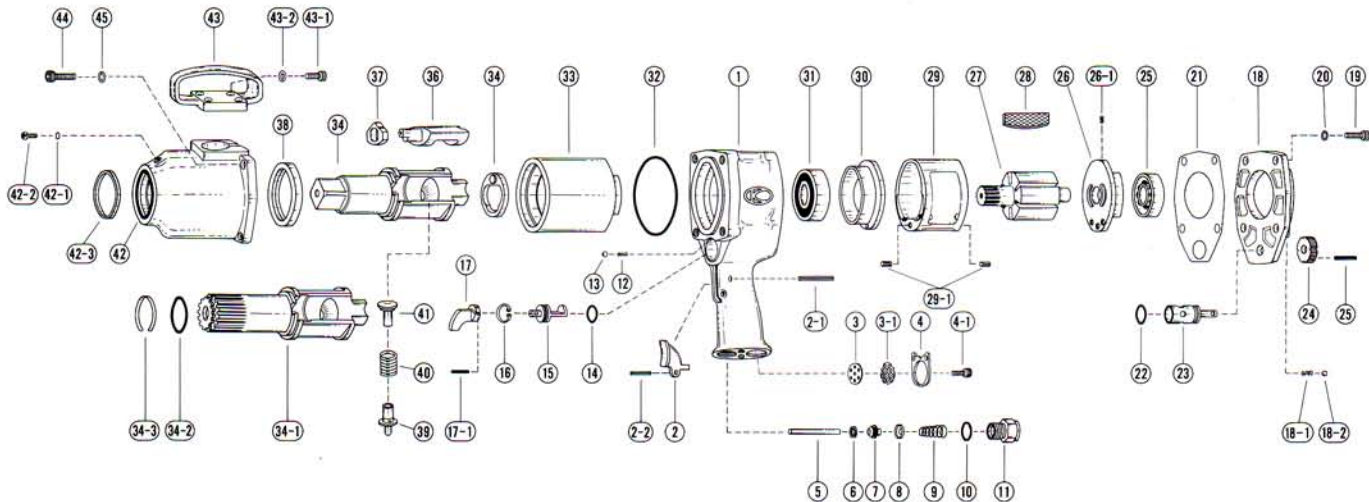
Power Regulator

Knob NO.4 is for maximum power. Please adjust regulator to obtain best suited torque.

Air Inlet Bushing

Put 2-3 teaspoons of 10W machine oil into air motor daily.

EXPLODED VIEW



PARTS LIST

| REF. NO. on DRAW. | PART NUMBER | PART NAME | Q'TY. | REF. NO. on DRAW. | PART NUMBER | PART NAME | Q'TY. |
|-------------------|-------------|----------------------|-------|-------------------|-------------|---------------------|-------|
| 1 | 05450812 | Motor Case C.P. | 1 | 25 | Z0016204 | Ball Bearing | 1 |
| 2 | 0545012 | Throttle Lever | 1 | 26 | 0132924 | Rear End Plate | 1 |
| 2-1 | Z0563x26 | Pin | 1 | 26-1 | Z0564x10 | Pin | 1 |
| 2-2 | Z0563x16 | Pin | 1 | 27 | 0545021 | Rotor | 1 |
| 3 | 0538055 | Muffler | 1 | 28 | 0545022 | Rotor Blade | 6 |
| 4 | 0545009 | Stopper | 1 | 29 | 0333020A | Cylinder | 1 |
| 4-1 | Z0665x10 | Bolt | 2 | 29-1 | Z0565x8 | Pin | 2 |
| 5 | 0545013 | Throttle Valve Pin | 1 | 30 | 0545023 | Rear End Plate | 1 |
| 6 | 04383111 | Throttle Plate | 1 | 31 | Z0016206Z | Ball Bearing | 1 |
| 7 | 0438311 | Throttle Valve | 1 | 32 | Z041S95 | "O" Ring | 1 |
| 8 | 0438431 | "O" Ring Cover | 1 | 33 | 0545026 | Hammer Wheel | 1 |
| 9 | 0438342 | Throttle Spring | 1 | 34 | 0545030A | Anvil G | 1 |
| 10 | Z040P18 | "O" Ring | 1 | 34-1 | 05453841A | Spline Anvil C.P. | 1 |
| 11 | 0438343 | Inlet Bushing | 1 | 34-2 | Z040P26 | "O" Ring | 1 |
| 12 | 0114192 | Spring | 1 | 34-3 | 0132202 | Retainer Ring | 1 |
| 13 | Z0104D | Steel Ball | 1 | 35 | 0545050 | Retainer | 1 |
| 14 | Z040P16 | "O" Ring | 1 | 36 | 0545028 | Anvil Piece | 1 |
| 15 | 0438315 | Reverse Valve | 1 | 37 | 0545027 | Cam | 1 |
| 16 | Z03121 | Retainer | 1 | 38 | 0545029 | Bushing | 1 |
| 17 | 0438316 | Reverse Lever | 1 | 39 | 0545051A | Plunger A | 1 |
| 17-1 | Z0563x24 | Pin | 1 | 40 | 0545053 | Spring | 1 |
| 18 | 0545088 | Case Cover C.P. | 1 | 41 | 0545052 | Plunger B | 1 |
| 18-1 | 0114192 | Spring | 1 | 42 | 0545082 | Impact Housing C.P. | 1 |
| 18-2 | Z0104D | Steel Ball | 1 | 42-1 | Z040P6 | "O" Ring | 1 |
| 19 | Z0668x25 | Bolt | 4 | 42-2 | Z0846x8 | Screw | 1 |
| 20 | Z0968x1 | Washer | 4 | 42-3 | Z01742556 | Oil Seal | 1 |
| 21 | 0545006 | Motor Housing Gasket | 1 | 43 | 0132304 | Dead Handle | 1 |
| 22 | Z040P16 | "O" Ring | 1 | 43-1 | Z0666x16 | Bolt | 4 |
| 23 | 0545017 | Regulator Valve | 1 | 43-2 | Z0966x1 | Washer | 4 |
| 24 | 0438318 | Regulator Valve Knob | 1 | 44 | Z0668x25 | Bolt | 4 |
| 24-1 | Z0563x28 | Pin | 1 | 45 | Z0968x1 | Washer | 4 |

KUKEN CO., LTD.

P.O. BOX 20, FUJIIDERA OSAKA 583 JAPAN
 3-6-15, NONOUE, HABIKINO-SHI, OSAKA JAPAN
 PHONES, HANNAN: (0729) 53-0601
 CABLE ADDRESS: KUKEN OSAKAHANNAN
 FAX: (0729) 53-0605