



# AIR DRILL

## ADR-65/ ADR-100

### Completely New Design!

Remarkably reduced size and weight offer greater maneuverability.

### Features

- Built-in silencer
- Reversible
- Variable speed adjustment
- Rubber grip reduces chilled hand.

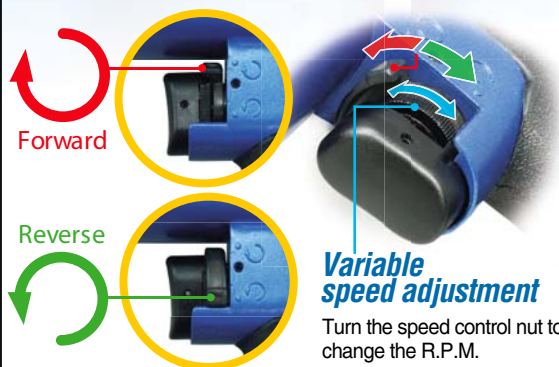
### Specifications

Model	ADR-65	ADR-100
Rated Air Pressure	MPa (kgf/cm <sup>2</sup> ) 0.59(6)	
Air Consumption (No load)	m <sup>3</sup> /min. 0.55	0.67
Free Speed	min <sup>-1</sup> (rpm) 2900	2000
Max. Drilling Capacity	mm ~ 6.5	~ 10.0
Mass (Weight)	kg 0.8	1.1
Standard Accessories	<ul style="list-style-type: none"> <li>● Drill Chuck : 1pc. on the body</li> <li>● Chuck Handle : 1pc.</li> <li>● Bushing PT1/4 x NPT1/4: 1pc.</li> <li>● 30SH: 1pc.</li> </ul>	
Optional Accessory	<ul style="list-style-type: none"> <li>● Hanger: 1pc.</li> </ul> <p><small>*A hanger to be mounted on the bottom of the grip is available as option.</small></p>	

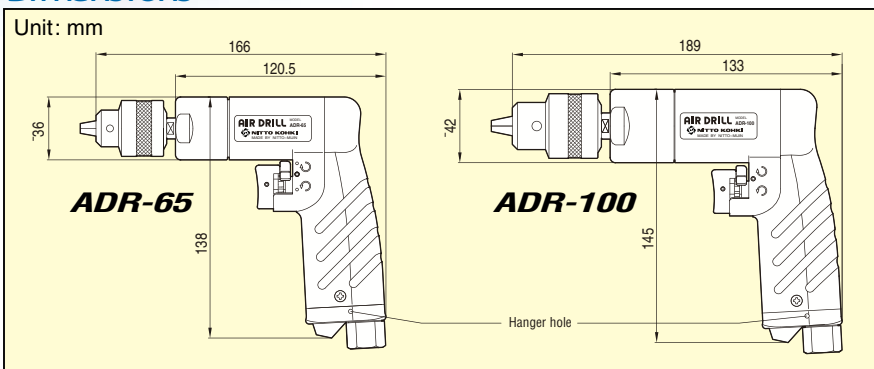


### Reversible

Change rotation direction by turning the valve as indicated.



### Dimensions



**Head Office**  
 PO Box 2676, Logan City DC Qld 4114  
 77 Brandl Street, Eight Mile Plains Qld 4113  
 Phone : 07 3340 4600 Fax : 07 3340 4640

- ▶ E-mail : [sales@nitto-australia.com.au](mailto:sales@nitto-australia.com.au)
- ▶ Web : [www.nitto-australia.com.au](http://www.nitto-australia.com.au)

★ Specifications and designs are subject to change at any time without notice.



Distributed By: