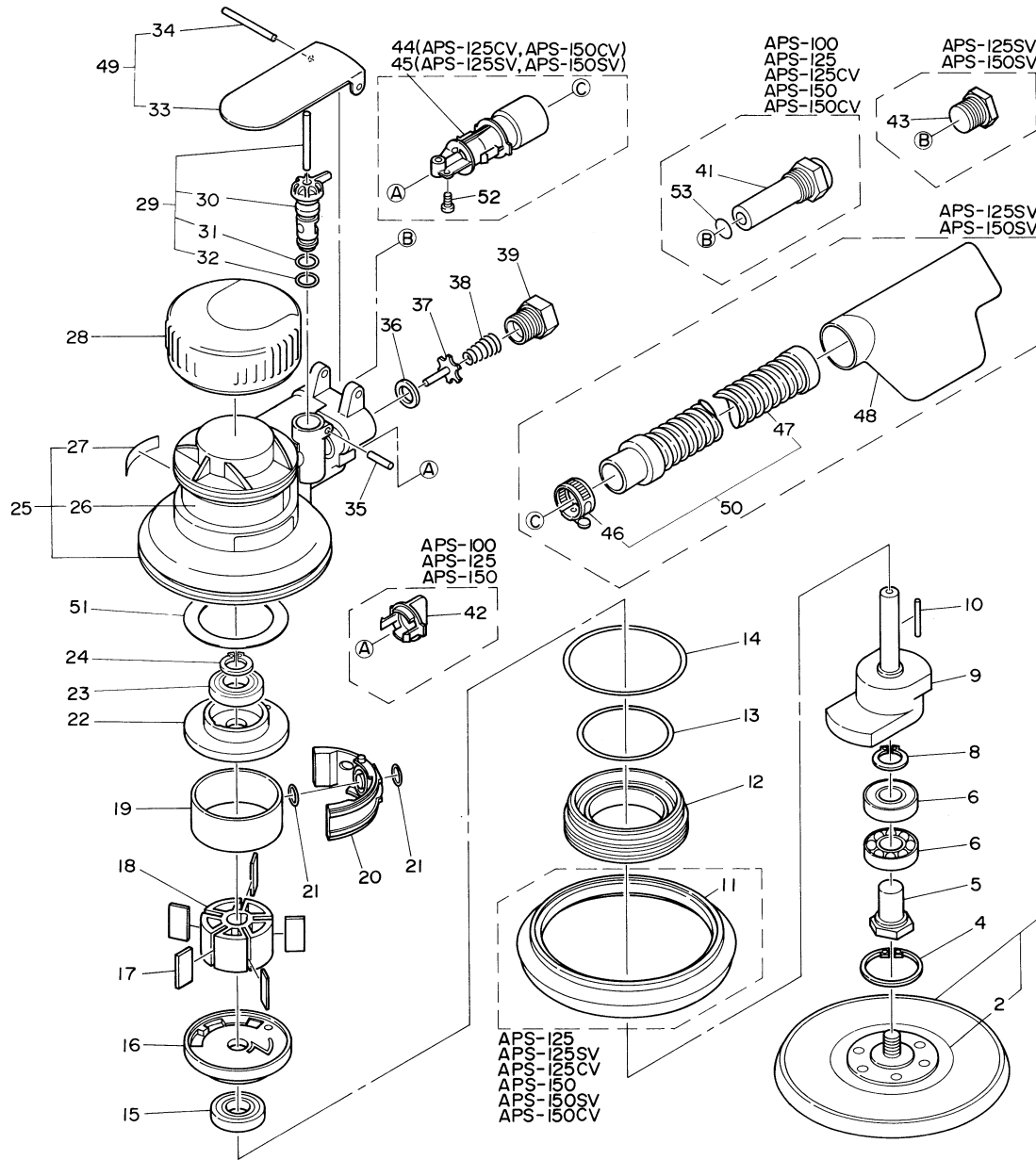


PALM ORBITAL SANDER APS-125, APS-125SV, APS-125CV, APS-150, APS-150SV, APS-150CV, ASSEMBLY AND PARTS LIST



The Part Numbers with () are included in the Ass'y parts written above them.

•APS-150

| No. | Part No. | Part Name | Q'ty | Price |
|-----|-----------|--|-------|-------|
| 1 | TB03650 | Pad 6" V-6H Ass'y | 1 set | |
| 2 | (TQ05090) | Label Caution APS | 1 | |
| 4 | TQ04650 | Internal Retaining Ring IRTW-28 | 1 | |
| 5 | TQ04648 | Spindle | 1 | |
| 6 | TP05650 | Ball Bearing 6001D | 2 | |
| 8 | TP03546 | External Retaining Ring C-12 | 1 | |
| 9 | TQ04679 | Counter Shaft 6" | 1 | |
| 10 | CP23473 | Needle Roller 3 x 13.8 | 1 | |
| 11 | TQ04669 | Cover | 1 | |
| 12 | TQ05817 | Lock Ring | 1 | |
| 13 | CQ05893 | O-Ring S-44 | 1 | |
| 14 | TP03790 | O-Ring S-56 | 1 | |
| 15 | TQ04657 | Ball Bearing 6000LLU | 1 | |
| 16 | TQ04652 | End Plate B | 1 | |
| 17 | TQ06478 | Blade Ass'y (5 pcs.) | 1 set | |
| 18 | TQ04477 | Rotor | 1 | |
| 19 | TQ04684 | Cylinder | 1 | |
| 20 | TQ04655 | Backbone | 1 | |
| 21 | TP12004 | O-Ring P-10 | 2 | |
| 22 | TQ04651 | End Plate A | 1 | |
| 23 | TP01913 | Ball Bearing 6000ZZ | 1 | |
| 24 | TQ04656 | Bent Retaining Ring BG-10 | 1 | |
| 51 | TQ04764 | Spacer 52 x 38 x 0.5 | 1 | |
| 25 | TB04435 | Housing Ass'y | 1 set | |
| 26 | (TQ04710) | Label Nitto APS | 1 | |
| 27 | (TQ04678) | Label Model Number APS-150 | 1 | |
| 28 | TQ04771 | Grip Rubber | 1 | |
| 29 | TB03695 | Adjust Valve Ass'y | 1 set | |
| 30 | (TQ04670) | Adjust Valve | 1 | |
| 31 | (CP20531) | O-Ring P-9 | 1 | |
| 32 | (TP20521) | O-Ring P-8 | 1 | |
| 49 | TB03696 | Throttle Lever Ass'y | 1 set | |
| 33 | (TQ04663) | Throttle Lever | 1 | |
| 34 | (TQ04661) | Spring Pin 3 x 36 AW | 1 | |
| 35 | TP15729 | Spring Pin 3 x 14 AW | 1 | |
| 36 | TP04671 | Seal Sheet 9 x 13.9 x 2 | 1 | |
| 37 | TQ04664 | Valve | 1 | |
| 38 | TQ04665 | Conical Spring 0.8 x 6.4 x 11.6 x 21.8 | 1 | |
| 39 | TQ04666 | Bushing M16 x PT1/4 | 1 | |
| 41 | TB03593 | Muffler Ass'y | 1 set | |
| 53 | TQ05088 | O-Ring SS-100 | 1 | |
| 42 | TQ04667 | Cap | 1 | |

•APS-150SV

| No. | Part No. | Part Name | Q'ty | Price |
|-----|-----------|------------------------------|-------|-------|
| 25 | TB04439 | Housing Ass'y | 1 set | |
| 26 | (TQ04710) | Label Nitto APS | 1 | |
| 27 | (TQ04695) | Label Model Number APS-150SV | 1 | |
| 43 | TQ04685 | Stopper M16 x 11 (P1.5) | 1 | |
| 45 | TB03594 | Ejector Ass'y | 1 set | |
| 50 | TA99239 | Hose Ass'y | 1 set | |
| 46 | (TP05662) | Hose Band | 1 | |
| 47 | (TP14835) | Hose | 1 | |
| 48 | TP14836 | Dust Bag | 1 | |
| 52 | LQ02848 | P-Tite Screw | 1 | |

•APS-150CV

| No. | Part No. | Part Name | Q'ty | Price |
|-----|-----------|------------------------------|-------|-------|
| 25 | TB04431 | Housing Ass'y | 1 set | |
| 26 | (TQ04710) | Label Nitto APS | 1 | |
| 27 | (TQ04691) | Label Model Number APS-150CV | 1 | |
| 41 | TB03593 | Muffler Ass'y | 1 set | |
| 44 | TQ04682 | Ejector | 1 | |
| 52 | LQ02848 | P-Tite Screw | 1 | |
| 53 | TQ05088 | O-Ring SS-100 | 1 | |

•ACCESSORIES

| No. | Part No. | Part Name | Q'ty | Price |
|-----|----------|--------------------------|------|-------|
| | TP00474 | Spanner 17 | 1 | |
| | TP02236 | Bushing PT 1/4 x NPT 1/4 | 1 | |
| | TQ04674 | Instruction Manual | 1 | |