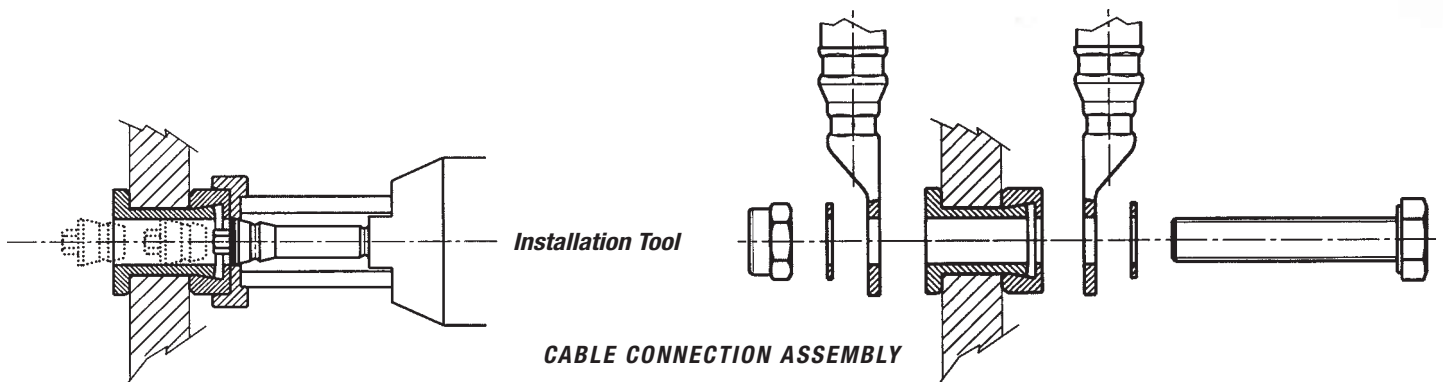
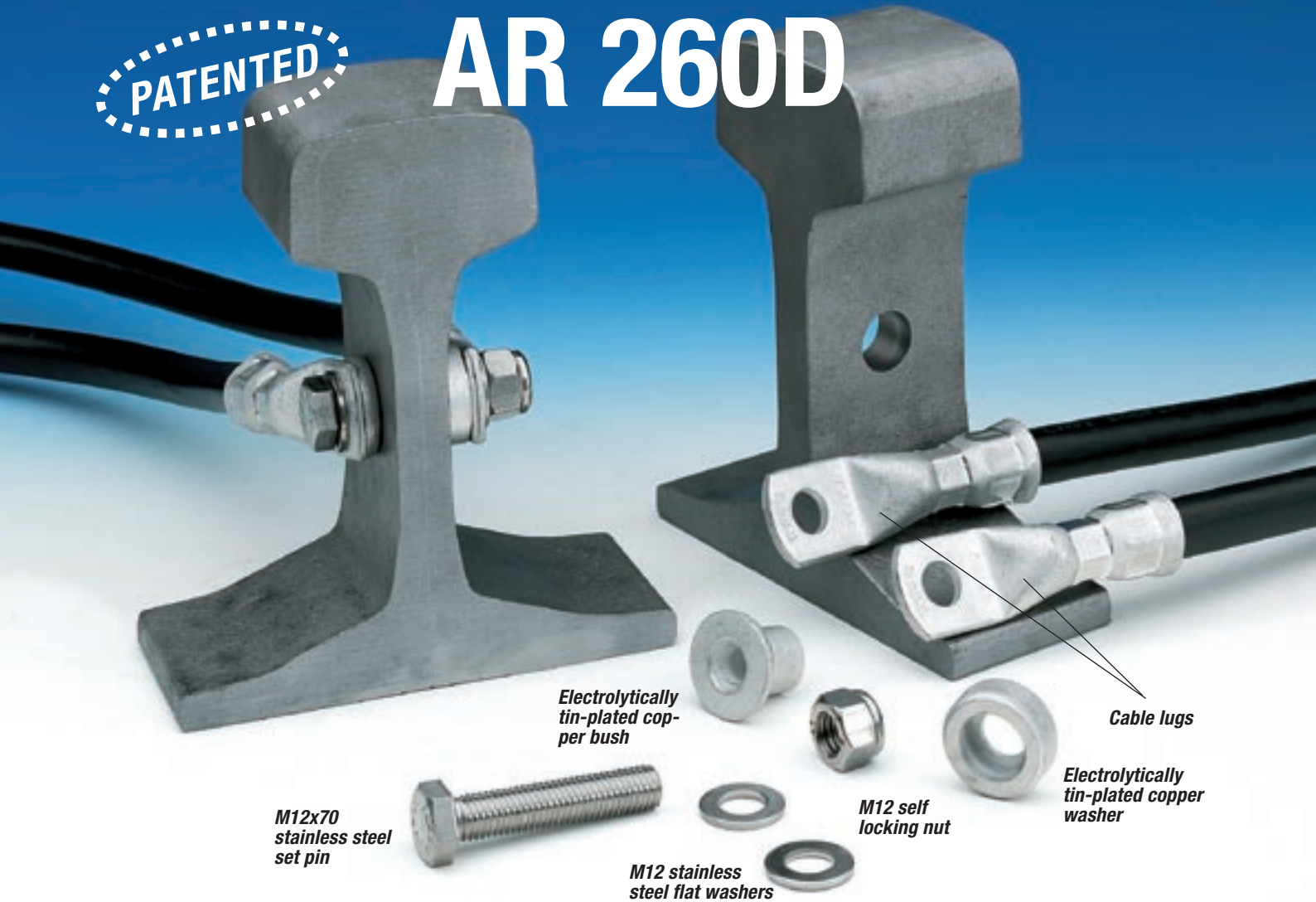


RAIL WEB CABLE CONNECTION SYSTEM DOUBLE CONTACT BUSH TYPE

PATENTED

AR 260D



RAIL WEB CABLE CONNECTION APPLICATIONS

- **Traction return bonding**
 - Rail bonding
- **Signal track circuit connection**
 - Earth bonding

AR 260D ASSEMBLY

