

# RAIL WEB ELECTRICAL CONNECTION SYSTEM FOR SIGNALLING DEVICES

## AR 67

PATENTED

Steel M6  
screw with (1 Piece)  
hollow hex head



Flat steel  
washer



Lug

Copper bush



M6 Self-  
locking nut



**Rail web Permanent Electrical Contact type AR 67, for hole diameter 8 - 8,5 mm**

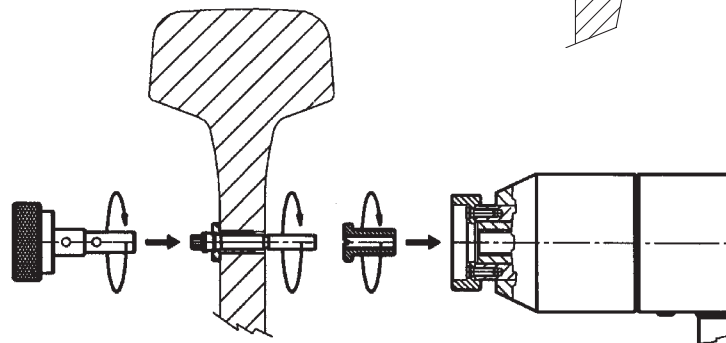
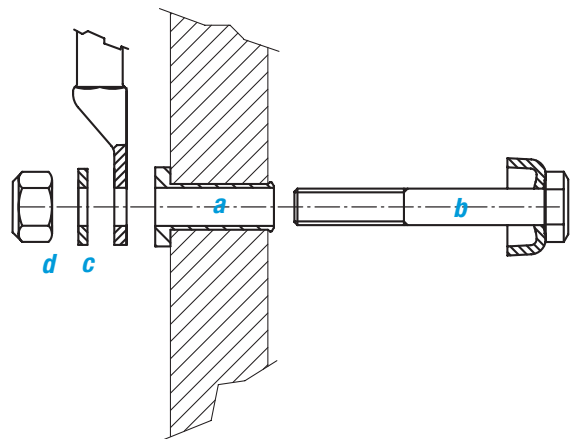
**Rail web thickness:** 14 - 16,5 mm

### System components:

- a** – Copper bush type **AR 67-1** protected on surface by suitable metal plating
- b** – Steel M6 screw with hollow hex head
- c** – Flat steel washer
- d** – M6 self-locking nut

### Installation tooling:

- HTEP** hydraulic tool
- RHTEP** head for connection to a hydraulic pump
- MTE1** hand held ratchet tool



# AR 67 ASSEMBLY

**1**

**2**

OK

NO

**3**

**4**

**5**

**6**

**7**

**8**

<i>C (Nm)</i>		
<i>D</i>	<i>Cu</i>	<i>Al</i>
<i>M6</i>	10	6,5

**9**