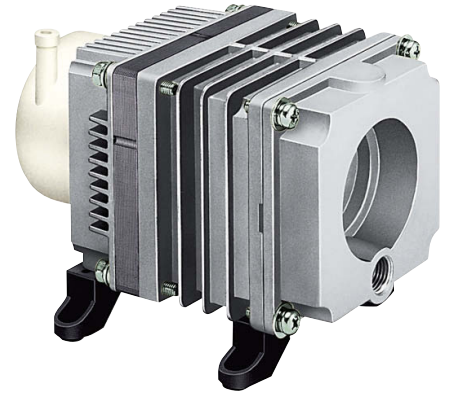


COMPRESSOR

# LINEAR



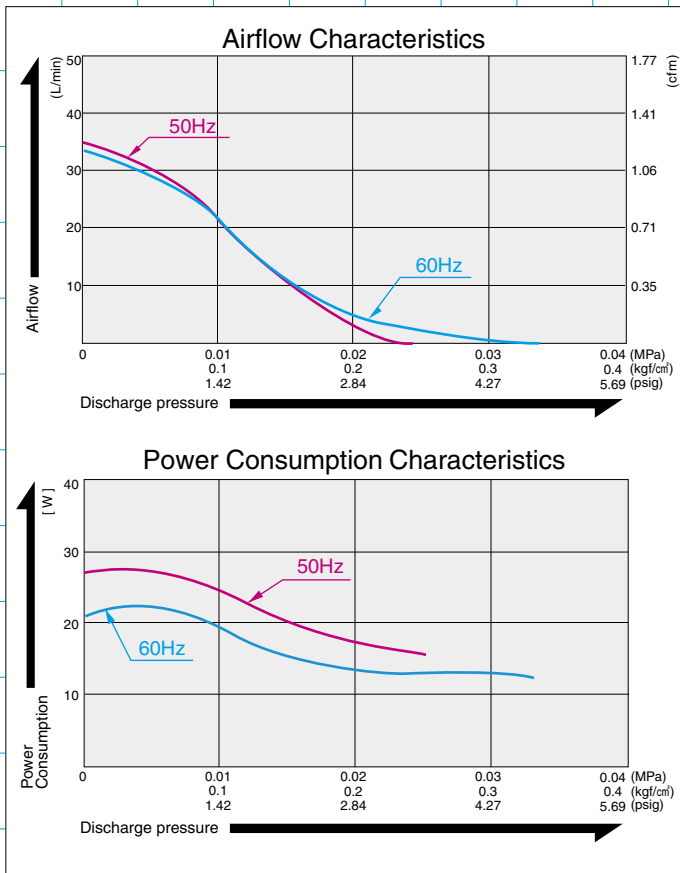
**MOTOR FREE  
PISTON SYSTEM**



# Ac0201A

**Airflow & Power Consumption**

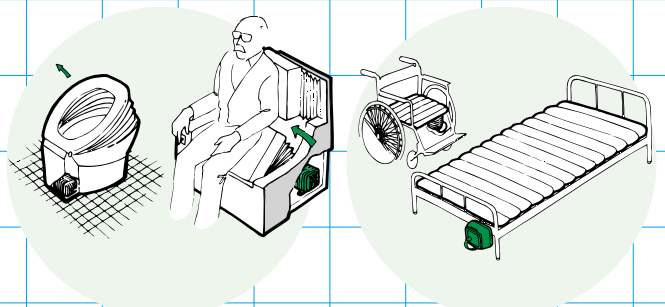
**Specifications**



	(SI)	(EURO)	(U.S.A.)
Rated Pressure	0.01 MPa (0.1 kgf/cm <sup>2</sup> )	0.1 bar	1.42 psig
Rated Airflow	20 L/min		
Rated Voltage	115 V AC or 230 V AC		
Maximum Pressure	0.02 MPa (0.2 kgf/cm <sup>2</sup> )	0.2 bar	2.84 psig
Power Consumption	19 W or 23 W		
Rated Frequency	60 Hz or 50 Hz		
Life Expectancy	6,000 hours		
Outlet	ISO Rc 1/4 (female threaded)		
Duty Cycle	Continuous		
Coil Insulation Class	E or its equivalent (JETL) and B for UL		
Mounting Dimensions	73 (L) x 88 (W) mm	2-7/8" (L) x 3-15/32" (W)	
Gross Weight	1.5 kg	3.3 Lbs.	
Leadwire Length	200 mm	7-7/8"	

Please read the page of "How to Use This Catalog" first for correct use of compressors and pumps.

**Application Examples**



Seat Lifter

Bed Sore Prevention Mattress

**Sketch Drawing and Mounting Dimensions Diagram (mm)**

