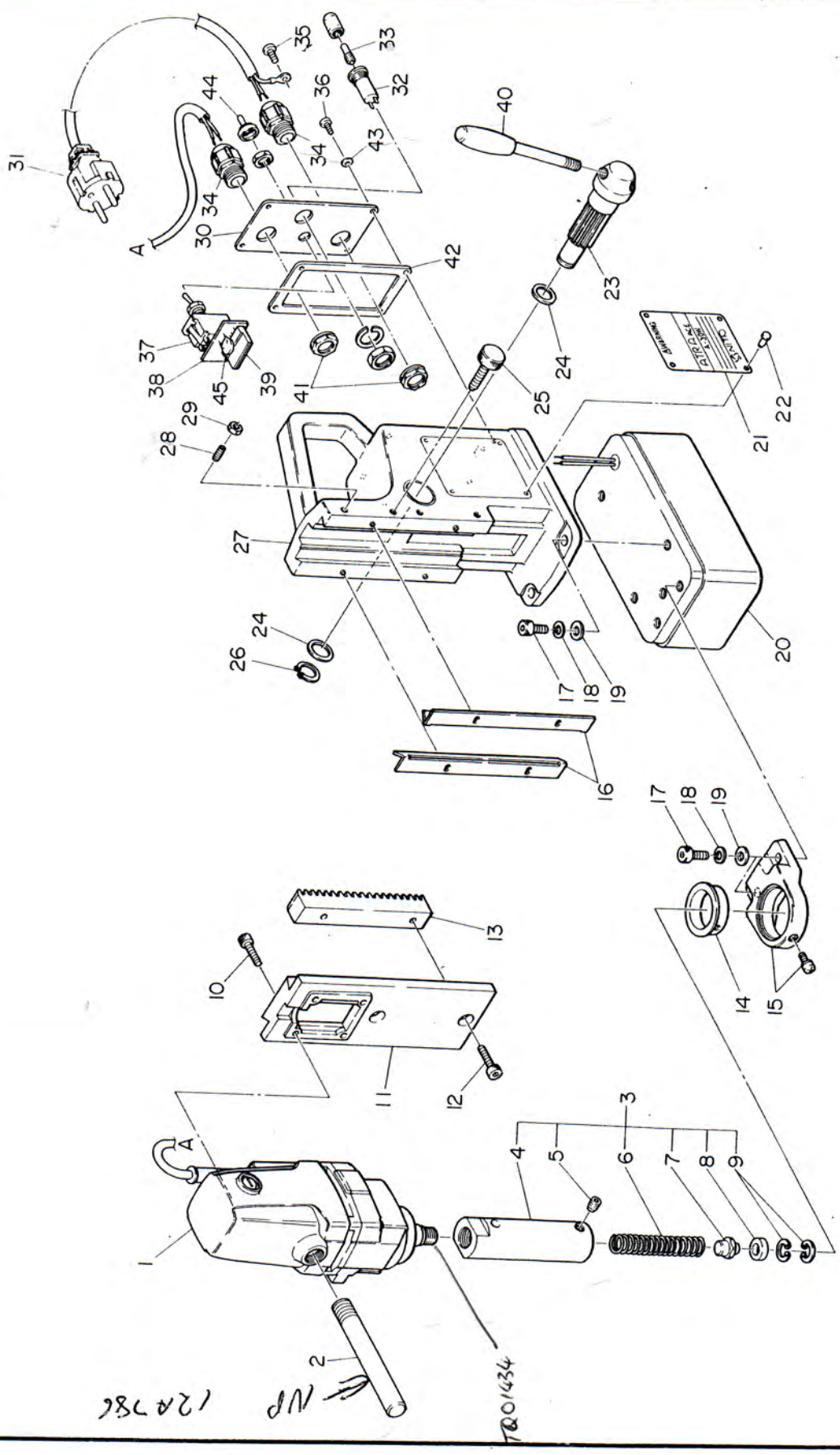


ASSEMBLY OF "ATRA ACE" MODEL A-30W

x A 30.



A30 x A03000
 REMOVE ARBOR ASSY (4)
 & CHUCK A30 WILL SCREW
 STRAIGHT ON.

A30



8 ATRA ACE A-30W ASSEMBLY AND PARTS LIST

⚠ CAUTION

The illustration is for information only. Users should never disassemble parts. Contact the sales agent from whom you purchased the tool or our company, should the tool need service, repair or replacement of parts.

The parts numbers with () are consisted by the Ass'y parts written above it.

No.	Part No.	Part Name	Q'ty	Price
1	TB00943	Drill Motor Ass'y (220-240V)	1 set	
	(TB00947)	Carbon Brush Ass'y (220-240V)	1 set	
2	TB00895	Side Handle Ass'y	1 set	
3	TB01404	Arbor Body Assy <i>TB01425</i>	1 set	
4	TQ02007	Arbor Body	1	
5	(TP16723)	Hex. Socket Set Screw 12x9.5 Special	1	
6	(TQ00669)	Spring 1.6x16.2x87	1	
7	(TP15981)	Pilot Spacer	1	
8	(TP15848)	Spacer 10.5x19x5	1	
9	(TP13905)	Retaining Ring RTW-19	2	
10	TP00126	Hex. Socket Head Cap Screw 5x16	4	
11	TQ01291	Slide Board	1	
12	TP07118	Hex. Socket Head Cap Screw 6x16	2	
13	TP15111	Rack	1	
14	TP12772	Bushing	1	
15	TB00098	Bracket Sub Ass'y <i>TB02702</i>	1 set	
16	TP15103	Slide Plate	2	
17	TP01460	Hex. Socket Head Cap Screw 8x20	5	
18	TP05049	Spring lock Washer M8	5	
19	TP00046	Plain Washer M8	5	
20	TB00659	Square Pole Ass'y (220-240V)	1 set	
21	TQ02010	Name Plate	1	
22	TP05136	Drive Screw No.2x4.8	4	
23	TQ01542	Pinion Shaft	1	
24	TP05463	Pinion Washer 14.2x19x1	2	
25	TP02931	Set screw	1	
26	TP02539	Retaining Ring G-14	11	
27	TB01155	Body Sub Ass'y	1 set	
28	TP04519	Hex. Socket Set Screw 5x18 (Full Dog Point)	3	

No.	Part No.	Part Name	Q'ty	Price
29	TP02936	Hex. Nut Type 3 M5	3	
30	TQ01625	Circuit Board <i>NAME RATE</i>	1	
31	TB01132	Cabletyre Cable Ass'y (220-240V)	1 set	
32	TP00164	Lamp Holder MP-018	1	<i>CAN USE 140395</i>
33	TP00053	Neon Lamp	1	
34	TQ01675	Cable connector	2	
35	LP08489	Binding Screw 4x6	1	
36	TP02618	Cross Recessed Pan Head Screw 4x8	4	
37	TP01299	Switch ST210 PA-51	1	
38	TQ01624	Printed Circuit <i>TB01479</i>	1	
39	TQ01509	Silicon Rectifier D5SB60 *	1	<i>PART OF TB01479</i>
40	TQ01681	Rod Handle	3	
41	TQ01674	Cable Connector Nut	2	
42	TQ01758	Packing Body	1	
43	TQ00258	Seal Washer M4	4	
44	TQ01761	Waterproof Cap B13-12	1	
45	TQ01995	Varistor TNR 15G 471K *	1	<i>PART OF TB01479</i>

USE TB01479 CIRCUIT BOARD ASSY.

Part No.	Part Name	Q'ty	Price
TP04305	Hex. Wrench Key 2.5	1	
TP00170	Hex. Wrench Key 6	1	
TP14091	Spanner 7x8	1	
TA99027	Safety Chain Ass'y	1 set	
TQ02009	Instruction Manual	1	

DRILL SAME AS A30
(TB00943) (CAPACITY) 1.5 to 13mm
(THREAD) 1/2 x 20.

NP CHUCK A30
(THREAD SIZE 14 x 1.5mm)
12.5mm HOLE



FOR FLUID SYSTEM TO SUIT A30W
refer front of this book