

# HYDRAULIC CUTTING TOOLS TYPE RH-TFC, HT-TFC, B-TFC2 FOR PROFILED CONTACT WIRES



## RH-TFC

Hydraulic presshead complete with quick automatic coupler for connection to a hydraulic pump with a max working pressure of 700 bar. Suitable for cutting profiled contact wires on electrified traction systems.

|                                |             |
|--------------------------------|-------------|
| <b>Max operating pressure:</b> | 600-700 bar |
| <b>Dimensions:</b>             |             |
| length                         | 196 mm      |
| width (locking handle closed)  | 159 mm      |
| width (locking handle open)    | 257 mm      |
| <b>Weight</b>                  | 3,1 kg      |

## VAL P15

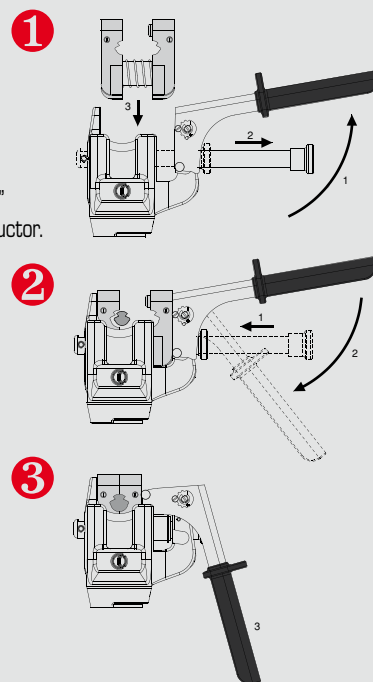
Supplied in a sturdy plastic case VAL P15 suitable for storage of the head and 4 sets of dies.

- Dimensions 315 x 300 x 95 mm - weight 0,93 kg



## Simple 3 stage operation

- 1 Insert the die set into the head.
- 2 Position the conductor inside the die set so that the blade lines up with the desired cutting point; close the die set by moving the locking handle towards the tool body, until automatically "locked" in position and securely clamping the wire/conductor.
- 3 Operate the pump to advance the blade to the conductor; the blade progressively advances until the conductor is completely cut in a clean and precise manner without deforming the conductor itself.



## HT-TFC

This two speed lightweight and compact, hydraulic tool is ideal for cutting profiled contact wires on electrified traction systems. Having the benefit of spring loaded handles, the dies can be advanced using only one hand. For ease of operation and comfort of the operator, the tool head can be rotated through 180 degrees. The built-in safety valve will by-pass the oil supply when the maximum pressure is reached, while the pressure release system can easily be operated at any stage of the compression.

|                               |        |
|-------------------------------|--------|
| <b>Dimensions:</b>            |        |
| length                        | 373 mm |
| width (locking handle closed) | 159 mm |
| width (locking handle open)   | 257 mm |
| <b>Weight</b>                 | 3,6 kg |



## B-TFC2

The **B-TFC2** is a cordless tool that can be operated with one hand. Suitable for cutting profiled contact wires, on electrified traction systems.

- **Double speed action tool**
- **Ni-MH Battery; 14.4V - 3.0Ah**
- Balanced tool for greater control
- Head rotates for ease of operation in confined spaces
- Automatic indication of residual battery power after every operation.
- The tool is fitted with a maximum pressure valve to indicate the full extent of the blade travel
- Extremely quiet in operation with very little vibration
- Durable moulded body offering high resistance to wear and damage in all operating conditions
- The plastic carrying case can accommodate the tool and accessories



14.4V  
3.0Ah  
NI-MH

|                                   |        |
|-----------------------------------|--------|
| <b>Dimensions:</b>                |        |
| length                            | 293 mm |
| width (locking handle included)   | 99 mm  |
| width (locking handle included)   | 352 mm |
| <b>Weight (including battery)</b> | 5,3 kg |

## VAL P12

Supplied in a sturdy plastic case VAL P12 suitable for storage of the tool and 3 sets of dies.

- Dimensions 496 x 370 x 137 mm - weight 2,7 kg

## VAL P17

Supplied in a sturdy plastic case VAL P17 suitable for storage of the tool and 4 sets of dies.

- Dimensions 470 x 384 x 110 mm - weight 2 kg



### Optional accessories:

**BPS 230.14**, network power supply (230V~50-60Hz).

**CFC 12-24IC**, 12V car battery charger



BPS 230.14

CFC 12-24IC