

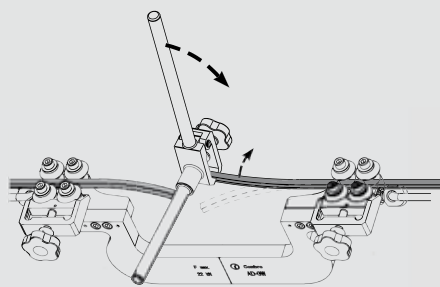
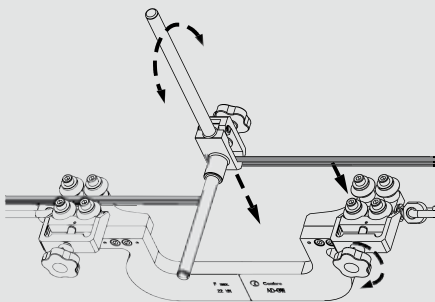
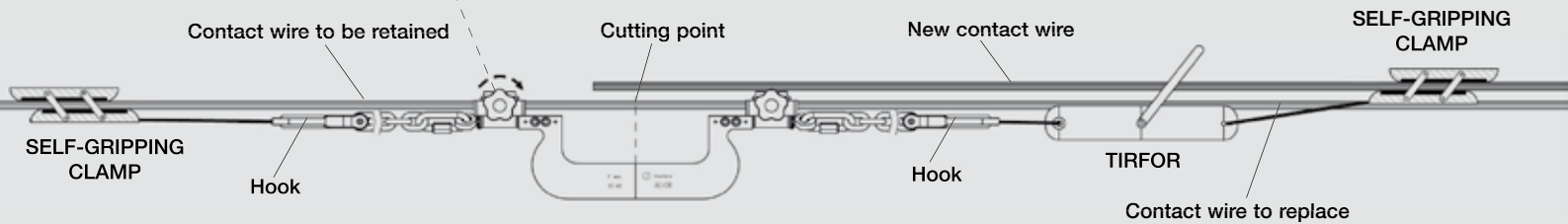
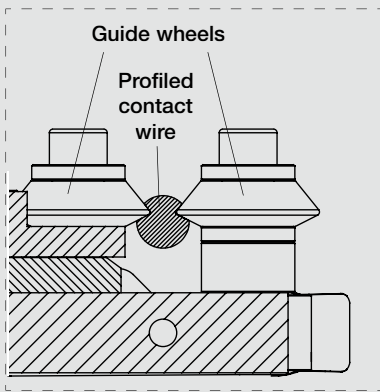
PROFIED CONTACT WIRE ALIGNMENT DEVICE FOR USE DURING THE INSTALLATION OF CONNECTING JOINTS

AD-GW

This device is designed to facilitate accurate, repeatable and secure operations when aligning two profiled contact wires during the installation of connecting joints.

Included with **AD-GW** is the **HC-GW** device designed to simplify radial and lateral adjustment of the contact wire to ensure rapid processing.

AD-GW is equipped with hooks for easy attachment to self-gripping clamps and a Tirfor type mechanical ratchet block commonly used for tensioning contact wire in jointing operations.



Using the **HC-GW** adjusting device, align the grooves of the new contact wire into the profile of the guide wheels then tighten the **AD-GW** knob (on the Tirfor side).

If necessary, use the adjusting device to correct the bend of the ends of both contact wires.

