

Pneumatic Angle Grinder

MYTONModel **MLG-25** **CE**
for 58 mm Depressed Center Grinding Wheel

HIGHLY MANEUVERABLE COMPACT GRINDER



- **Tool life significantly increased.**
(When compared to MAG-25)
- **Low profile angle head allows better accessibility with improved handling.**
- **Newly designed Green Disc allows grinding of Iron and Stainless steels.**

Applications

Deburring, cleaning and smoothing applications at fabrication shops, foundries and a variety of other industries.

Fits in the palm of your hand.



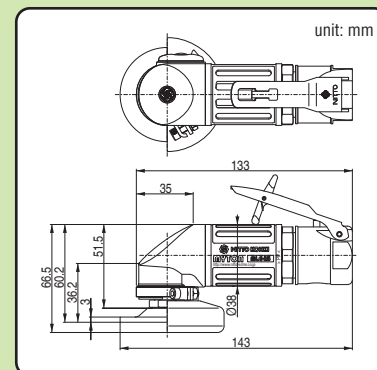
Specifications

Model	MLG-25	
Rated Air Pressure	MPa(kgf/cm ²)	0.6
Air Consumption	m ³ /min	0.42
Free Speed	min ⁻¹	19,000
Depressed Center Grinding Wheel	mm	58
Hose Size		1/4
Mass (Weight)	kg	0.6
Standard Accessories	• Green Disc GS #80: 1 pc.	
	• 5 mm Hex. Socket Screw Key: 1 pc.	
	• 19 mm Single Ended Spanner: 1 pc.	
	• Bushing R 1/4 x NPT 1/4: 1 pc.	

Optional Green Discs

PN	Description	Qty
TB08872	GS#46 x 58 mm	5 pcs.
TB08873	GS#60 x 58 mm	5 pcs.
TB08874	GS#80 x 58 mm	10 pcs.
TB08875	GS#100 x 58 mm	5 pcs.
TB08876	GS#120 x 58 mm	5 pcs.

Dimensions



*Specifications and designs are subject to change at any time without notice.

★ Green Discs cannot be used on MAG-25.



Head Office

9-4, Nakaikogami 2-chome,
Ohta-ku, Tokyo 146-8555 Japan
Phone : +81-3-3755-1111 Fax : +81-3-3753-8791

▶ E-mail : overseas@nitto-kohki.co.jp

▶ URL : www.nitto-kohki.co.jp/e

DISTRIBUTED BY



● For environmental conservation, this print is made of the pulp blended with waste paper and printed with soy-based inks.

Printed in Japan 10FA03-①