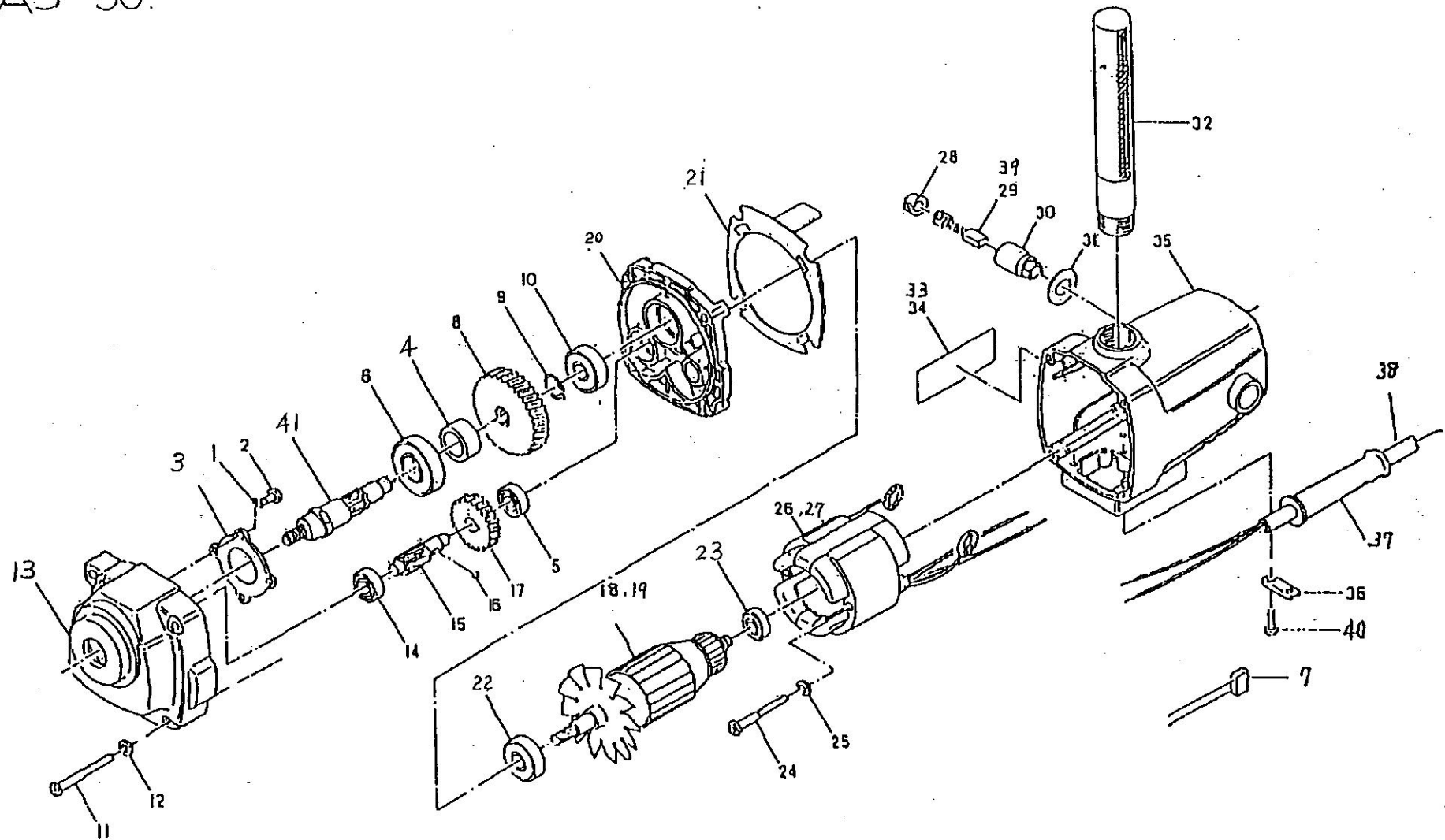


AO-3000
AS-30.



No.	Part Name	Electric Drill		F.O.B. Japan in JPY	
		Part No.	Q'ty	F.O.B. Price	Remark
1	Spring Washer M5	TP00513-0	4		
2	Screw 5x10	TQ00859-0	4		
3	Bearing Holder	TQ00858-0	1		
4	Collar	TQ00860-0	1		
5	Ball Bearing 608Z	TP00468-0	1		
6	Ball Bearing 6203Z	TP01632-0	1		
7	Condenser	TP16481-0	1		
8	Spiral Gear (B)	TQ00861-0	1		
9	Retaining Ring C-14	TP18356-0	1		
10	Ball Bearing 6200	TP06626-0	1		
11	Hex. Screw 5x50	TQ01437-0	4		
12	Spring Washer M5	TP00513-0	4		
13	Gear Case	TQ04228-0	1		New Parts
14	Ball Bearing 608Z	TP00468-0	1		
15	Pinion	TQ01438-0	1		
16	Sunk Key 3x3x5	TP06393-1	1		
17	Spiral Gear (A)	TQ01439-0	1		
18	Armature Assy (115V)	TB01010-0	1		
19	Armature Assy (230V)	TB01011-0	1		
20	Bearing Bracket	TQ00864-0	1		
21	Wind-Shield Plate	TQ01436-0	1		
22	Ball Bearing 6200Z	TP17438-0	1		
23	Ball Bearing 608Z	TP00468-0	1		
24	Hex. Screw 5x50	TQ01437-0	2		
25	Spring Washer M5	TP00513-0	2		
26	Stator Assy (115V)	TB01012-0	1		
27	Stator Assy (230V)	TB01013-0	1		
28	Brush Cap	TQ00867-0	2		
29	Carbon Brush Assy (115V)	TB00598-0	1		
30	Brush Holder	TQ00868-0	2		
31	Insulation Washer	TQ00869-0	2		
32	Side Handle	TP12786-0	1		
33	Name Plate (115 V)	TQ04397-0	1		
34	Name Plate (230 V)	TQ04398-0	1		
35	Stator Spider	TQ00870-0	1		
36	Cable Clamp	TP13362-0	1		
37	Cord Armor	TP13363-0	1		
38	Cord	TQ01440-0	1		
39	Carbon Brush Assy (230V)	TB00947-0	1		
40	Screw 4x16	LP30251-0	2		
41	Spindle H14x1.5	TQ01434-0	1		