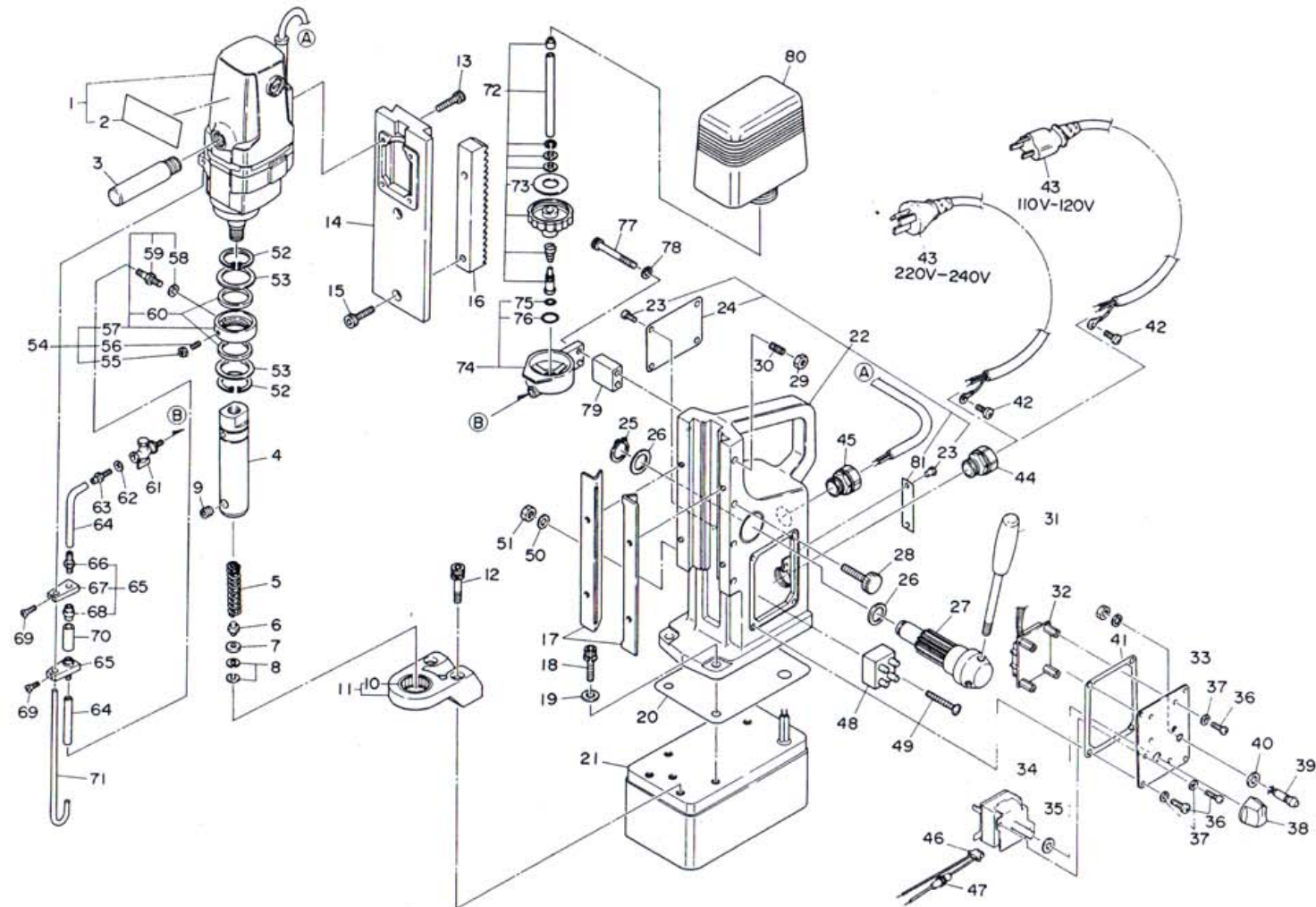


# 10 ASSEMBLY AND PARTS LIST FOR MODEL AS-30

## ⚠ WARNING

The illustration is for information only. Users should never disassemble parts. Contact the sales agent from whom you purchased the tool or an authorized dealer should the tool need service, repair or replacement of parts.

The part numbers with ( ) are included in the Ass'y parts written above them.



The part numbers with ( ) are included in the Ass'y parts written above them.

No.	Part No.	Part Name	Q'ty	Price
1	TB02586	Drill Motor Ass'y (110-120V)	1set	
1	TB02624	Drill Motor Ass'y (220-240V)	1set	
-	(TB00598)	Carbon Brush Ass'y	1set	
2	(TQ05063)	Label Caution	1	
3	TB02534	Side Handle Ass'y	1set	
4	TQ03375	Arbor Body	1	
5	TQ00669	Spring 1.6 × 16.2 × 87	1	
6	TP15981	Pilot Spacer	1	
7	TP15848	Spacer 10.5 × 19 × 5	1	
8	TP13905	Internal Retaining Ring RTW-19	2	
9	TP16723	Hex. Socket Set Screw 12 × 9.5	1	
10	TB02696	Bracket Ass'y	1set	
11	(TQ03444)	Needle Bearing B-2410	1	
12	TQ03345	Hex. Socket Head Cap Screw 8 × 25 With Spring Washer	3	
13	TP08013	Hex. Socket Head Cap Screw 5 × 25	4	
14	TQ03379	Slide Board	1	
15	TP07118	Hex. Socket Head Cap Screw 6 × 16	2	
16	TQ02496	Rack	1	
17	TP15103	Slide Plate	2	
18	TQ03344	Hex. Socket Head Cap Screw 8 × 20 With Spring Washer	3	
19	TP00046	Washer M8	3	
20	TQ01333	Packing Pole	1	
21	TB02584	Square Pole Ass'y (110-120V)	1set	
21	TB02562	Square Pole Ass'y (220-240V)	1set	
22	TB04646	Body Sub Ass'y	1set	
23	(TP05136)	Drive Rivet No.2 × 4.8	6	
24	(TQ03378)	Plate Warning	1	
81	(TP04769)	Plate Serial Number	1	
25	TP02539	External Retaining Ring G-14	1	
26	TP05463	Pinion Washer 14.2 × 19 × 1	2	
27	TQ01542	Pinion Shaft	1	

No.	Part No.	Part Name	Q'ty	Price
28	TP02931	Set Screw	1	
29	TP02936	Hex. Nut M5	3	
30	TP04519	Hex. Socket Set Screw with Dog Point 5 × 18	3	
31	TQ01681	Rod Handle	3	
32	TB02619	Control Board Ass'y (110-120V)	1set	
32	TB02580	Control Board Ass'y (220-240V)	1set	
33	TQ03386	Circuit Board	1	
34	TB02579	Switch Ass'y	1set	
35	TQ01331	Seal Washer M6	1	
36	TP02618	Pan Head Screw 4 × 8	10	
37	TQ00258	Seal Washer M4	10	
38	TP12781	Knob MY-30	1	
39	TB02405	Lamp Ass'y	1set	
40	TQ03130	Seal Washer M8	1	
41	TQ03381	Packing Body	1	
42	LP08489	Binding Head Screw 4 × 6	1	
43	TB02115	Cabtyre Cord Ass'y (110-120V)	1set	
43	TB04482	Cabtyre Cord Ass'y (220-240V)	1set	
44	TP13889	Cable Connector SC4-3 (110-120V)	1	
44	TQ01838	Cable Connector SC4-1 (220-240V)	1	
45	TP13889	Cable Connector SC4-3	1	
46	TB02459	Cord Ass'y with Fuse	1set	
47	(TB03229)	Fuse 2A 250V	1set	
48	TQ06136	Terminal (220-240V)	1	
49	TP06595	Pan Head Screw 3 × 20 (220-240V)	1	
50	TQ01330	Seal Washer M3 (220-240V)	1	
51	TP00067	Hex. Nut M3 (220-240V)	1	
52	TP14969	External Retaining Ring ISTW-38	2	
53	TP12773	Washer 38.5 × 54 × 1	2	
54	TA99694	Oil Ring Ass'y	1set	
55	(LP10496)	Hex. Nut M6	1	
56	(TP15983)	Hex. Socket Set Screw with Cup Point 6 × 30	1	
57	TB00496	Oil Ring Sub Ass'y	1set	
58	(CP21947)	Packing S -4.7 × 8 × 0.8	1	
59	(TP14500)	Hose Nipple	1	
60	(TP14499)	Oil Seal GD 38 × 48 × 4	2	

No.	Part No.	Part Name	Q'ty	Price
61	TP14495	P-Valva PT1/8	1	
62	CP21947	Packing S-4.7 × 8 × 0.8	1	
63	TP14500	Hose Nipple	1	
64	TB01098	Tube 4 × 7 × 3000 Ass'y(150mm)	1	
65	TA99504	Oil Dropper Plate Ass'y	2set	
66	(TP15816)	Dropper Nipple	2	
67	(TP15817)	Dropper Plate	2	
68	(TP15818)	Dropper Packing	2	
69	TP02797	Pan Head Screw 4 × 6	2	
70	TP15819	Dropper Pipe	1	
71	TP15156	Oil Ring Stopper	1	
72	TB00516	Cap Ass'y	1set	
73	(TQ00701)	Packing Cap	1	
74	TB01380	Oil Tank Bracket Sub Ass'y	1set	
75	(TP11994)	O-Ring P-4	1	
76	(CP20180)	O-Ring P-18	1	
77	TP05903	Hex. Socket Head Cap Screw 6 × 60	2	
78	TP00092	Washer M6	2	
79	TQ03118	Spacer Tank Bracket	1	
80	TQ00702	Oil Tank	1	

#### Accessories

No.	Part No.	Part Name	Q'ty	Price
	TP04305	Hex. Socket Screw Key 2.5	1	
	TP04004	Hex. Socket Screw Key 5	1	
	TP00170	Hex. Socket Screw Key 6	1	
	TP14091	Spanner 7 × 8	1	
	TA99027	Chain Ass'y	1set	
	TQ06145	Instruction Manual	1	