

Pneumatic Angle Grinder

MYTONModel **MLG-40** **CE**
for 100 mm Depressed Center
Grinding Wheel**STOUT PERFORMANCE,
COMPACT LONG-LASTING DESIGN****Applications**

Deburring, cleaning and smoothing applications at fabrication shops, foundries, refineries, shipyards, power plants and a variety of other industries.

NEW

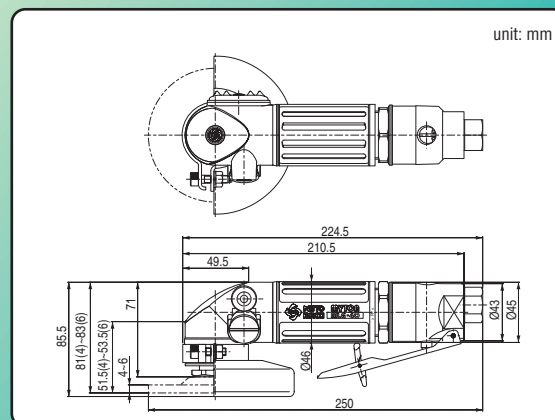
Spindle lock button is covered with easily detachable safety cap.

- Totally new design has doubled the life of the tool.
(When compared to MAGW-40)
- Low profile angle head allows better accessibility with improved handling.
- Spindle-lock button makes replacement of grinding wheels quick and easy.

**Specifications**

| Model | | MLG-40 |
|--|----------------------------|--|
| Rated Air Pressure | MPa (kgf/cm ²) | 0.6 (6) |
| Air Consumption | m ³ /min | 0.45 (No load) 0.91 (Load) |
| Free Speed | min ⁻¹ | 13,000 |
| Depressed Center Grinding Wheel Dimensions | mm (inch) | |
| | Outside Diameter | 100 (4) |
| | Thickness | 4 to 6 (5/32 to 1/4) |
| | Arbor Hole | 16 (5/8) |
| Hose Size | | Rc 3/8 |
| Mass (Weight) | kg | 1.5 |
| Standard Accessories | | 5 mm Hex. Socket Screw Key: 1 pc. 6 mm Hex. Socket Screw Key: 1 pc. Bushing R 3/8 x NPT 3/8: 1 pc. |

• TB08265 Side handle is available on request.

Dimensions

*Specifications and designs are subject to change at any time without notice.

**Head Office**

9-4, Nakaikogami 2-chome,
Ohta-ku, Tokyo 146-8555 Japan
Phone : +81-3-3755-1111 Fax : +81-3-3753-8791

- ▶ E-mail : overseas@nitto-kohki.co.jp
- ▶ URL : www.nitto-kohki.co.jp/e

DISTRIBUTED BY

• For environmental conservation, this print is made of the pulp blended with waste paper and printed with soy-based inks.

Printed in Japan 10GA03-①