

MODEL **KG-25**
STRAIGHT GRINDER



KG-25
"For Body Job"

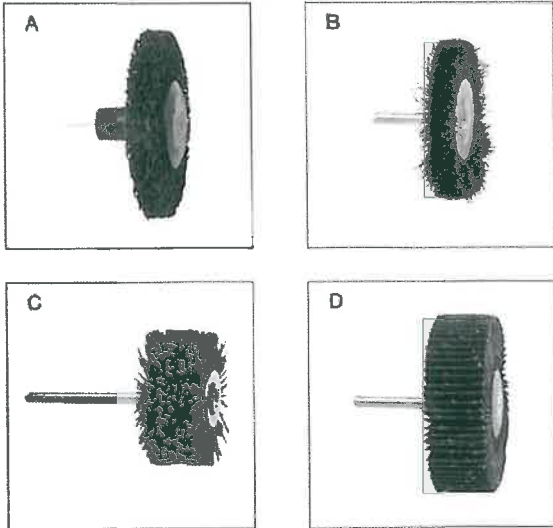


KG-25T
"For Tire Job"

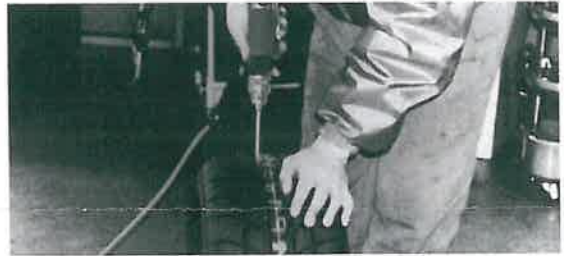
with elaser



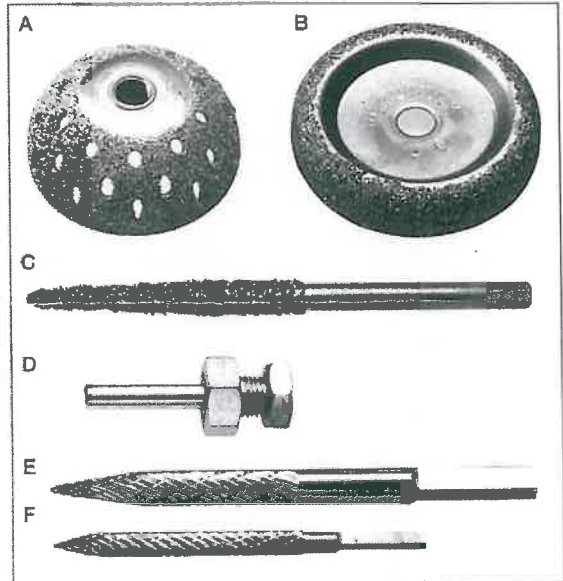
For example (Accessory):



with chuck



For example (Accessory):

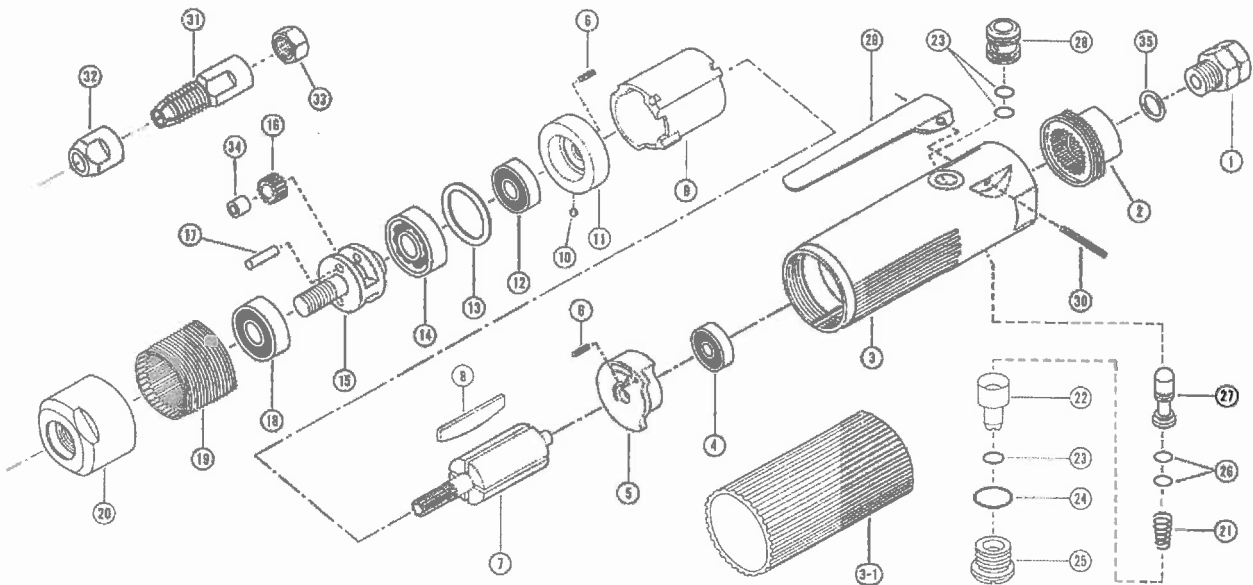


SPECIFICATIONS :

Model	Pad Size		Free Speed r.p.m	Collet Size		Overall Length		Net Weight		Ave. Air Consumption		Recommended Air Pressure		Hose Size	
	in.	mm		in.	mm	in.	mm	lbs.	kg	c.f.m.	ml/min.	p. s. i.	Mpa(P.S.I.)	in.	mm
KG-25	3 3/16	88	3000	1/4	6	8 1/32	205	1.62	0.74	16.0	0.45	90	0.62	1/4	6.3
KG-25T			3000	5/16	8			1.80	0.86	16.0	0.45	90	0.62	1/4	6.3

EXPLODED VIEW

KG-25(KG-25T)



REPAIR PARTS LIST

REF. NO. on DRAW.	PART NUMBER	PART NAME	Q'TY.	REF. NO. on DRAW.	PART NUMBER	PART NAME	Q'TY.
1	3202511	Inlet Bushing	1	18	Z0016000ZZ	Ball Bearing	1
2	3202508	Exhaust Bushing	1	19	3202526	Internal Gear	1
3	3202501	Motor Case	1	20	3202502	Front Case	1
3-1	32025011	Grip Cover	1	21	3202590	Throttle Spring	1
4	Z001626ZZ	Ball Bearing	1	22	3202517	Regulator Valve	1
5	3202524	Front End Plate	1	23	Z041ARPO11	"O" Ring	3
6	Z0562x6	Spring Pin	2	24	Z041ARP111	"O" Ring	1
7	3202521	Rotor	1	25	3202514	Regulator Stopper	1
8	3202522	Rotor Blade	4	26	Z041ARPO08	"O" Ring	2
9	3202520	Cylinder	1	27	3202513	Throttle Valve Pin	1
10	Z0101/16D	Steel Ball	1	28	3202510	"F" Bush	1
11	3202523	Rear End Plate	1	29	3202512	Throttle Lever	1
12	Z001608ZZ	Ball Bearing	1	30	Z0563x24	Spring Pin	1
13	3202525	Washer	1	31	3202560	Collet Shank	1
14	Z0016001	Ball Bearing	1	32	3202561	Collet Nut	1
15	3202530	Gear Cage	1	33	32025301	Nut	1
16	3202528	Idler Gear	2	34	32025282	Sleeve Receiver	2
17	32025281	Pin	2	35	Z041ARPO12	"O" Ring	1

KUKEN CO., LTD.

P.O. BOX 20 FUJIEDERA, OSAKA 583-0871 JAPAN
 3-6-15, NONOUE, HABIKINO-SHI, OSAKA JAPAN
 TEL : 81-72-953-0601
 FAX : 81-72-953-0605
<http://www.kuken.co.jp>

Product Improvement is continuing. Designs and Specifications are subject to change without notice or obligation.

CAT. '07.04