

# CIRCUIT BEVELER

Model **CBR-03**



## For Bridge and Shipbuilding Applications

### Bridge

- Radius chamfering on the scallop parts or holes of bridge members

### Shipbuilding

- Meets or exceeds PSPC\* requirements on surface preparation of steel materials prior to coating
- Radius chamfering on steel materials used in seawater ballast tanks and double-side skin bulk carrier production
- Dual cutting head with 4 radius surfaces per tip and a quick-change base
- Lightweight and compact weighing only 2.2 kg
- Designed to increase tool life with easier operation

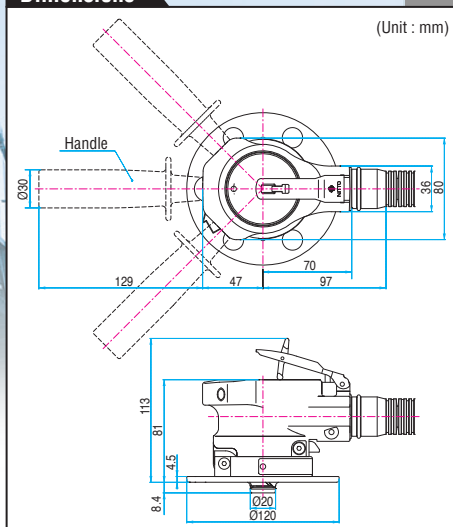
\* PSPC stands for Performance Standard for Protective Coatings regulated by International Marine Organization.



### Specifications

<b>Model</b>	CBR-03	
<b>Air Pressure</b>	MPa	0.6
<b>Air Consumption (No load)</b>	m <sup>3</sup> /min	0.65
<b>Free Speed</b>	min <sup>-1</sup>	12,000
<b>Chamfering Capacity</b>	mm	3R
<b>Minimum Hole Required</b>	mm	22
<b>Minimum Radius</b>	mm	12.5R
<b>Minimum Depth</b> (When a steel material is placed horizontally)	mm	9
<b>Number of Dedicated Insert</b>	2 pcs	
<b>Mass (Weight)</b>	kg	2.2 (including hose)
<b>Standard Accessories</b>	3R Insert: 2 pcs. (Installed) Torx Driver: 1 pc. Insert Setscrew: 1 pc. Handle: 1 pc.	
<b>Optional Accessory</b>	Plate ass'y for straight line use	

### Dimensions



★ Specifications and designs are subject to change at any time without notice.



**Head Office**  
9-4, Nakaikegami 2-chome,  
Ohta-ku, Tokyo 146-8555 Japan  
Phone : +81-3-3755-1111 Fax : +81-3-3753-8791

▶ URL : [www.nitto-kohki.co.jp/e](http://www.nitto-kohki.co.jp/e)  
▶ E-mail : [overseas@nitto-kohki.co.jp](mailto:overseas@nitto-kohki.co.jp)

DISTRIBUTED BY