



Original N-type Impact Wrenches

“With an innovative no-hammer clutch system”

“Newly developed by KUKEN”

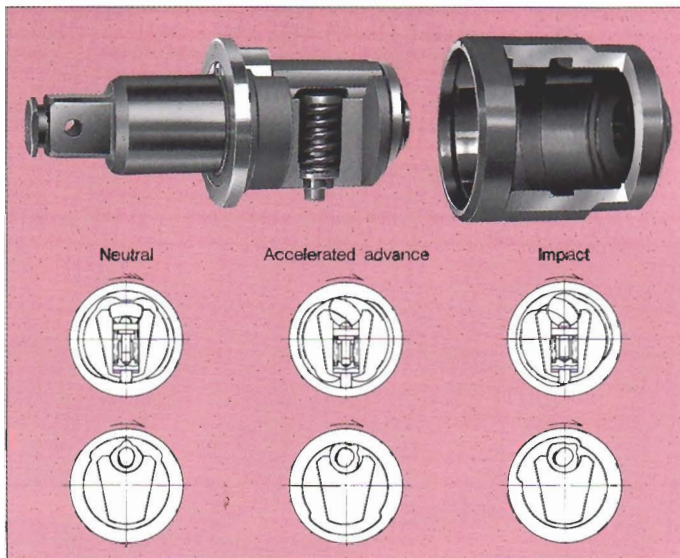


KW-1600Spro



KW-2500pro

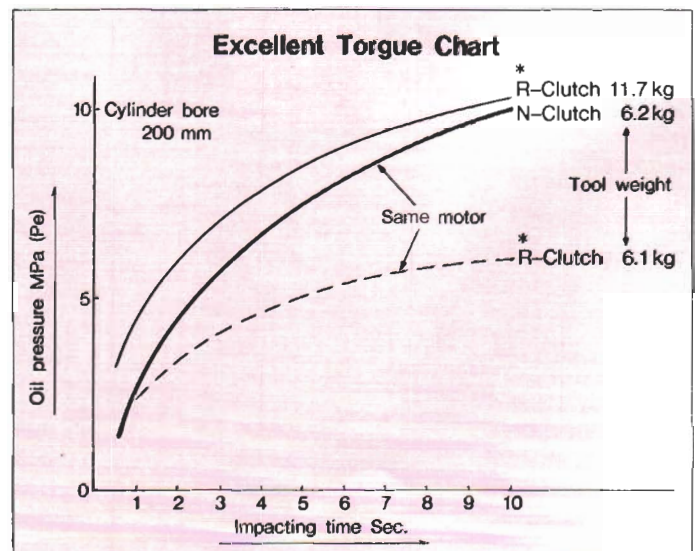
Structure And Operation Of N-type Clutch



KW-3800pro·GL

Features:

- Accurate thread fastening works with patented N-clutch impact mechanism. No loss of lubricant in the clutch facilitates this operation.
- Excellent power, compactness and light-weight with minimum vibration. Most logical mechanism for incredible power to weight ratio among impact wrenches ever produced in the world.
- Increased durability achieved by excellent clutches and less damage of bolts and nuts with “Shift-on” action.
- Reduction of operators fatigue and trouble free for maintenance.
- Low noise level and minimum air consumption.



* Impact wrench with a rocking hammer clutch.



KW-2000P



KW-2800P

※ "Available 1" sq. Anvil"



KW-3800P

※ Available "No.5 Spline" Drive



KW-4500P

※ Available "No.5 Spline" Drive



KW-4500G

※ Available "No.5 Spline" Drive



KW-5000G

※ Available "No.5 Spline" Drive

Applications:

- Heavy industrial production works such as all kinds of machinery and construction.

Specifications:

Air Pressure 90 P.S.I.=0.62 MPa (Pe)

* Estimating

Model	Capacity Bolt Size		Drive Description	Handle Style	Free Speed r.p.m.	Impacts per minute i.p.m.	Maximum* Torque		Recomm. Torque Range		Weight Less Socket		Length Less Socket		Air Consumption (Normal)		Recomm. Hose Size	
	in.	mm					ft.-lb.	Nm	ft.-lb.	Nm	lbs.	kg	in.	mm	c.f.m.	m ³ /min.	in.	mm
KW-1600Spro	5/8	16	1/2" Sq.	Pistol	8,000	1,500	360	490	74~244	100~330	3.2	1.46	6 1/2	165	10.7	0.30	1/4	6.3
KW-2500pro	1	25	3/4" Sq.	Pistol	4,500	900	880	1,150	144~725	200~980	9.2	4.2	8 3/8	219	16.0	0.45	3/8	9.5
KW-3800pro(GL)	1 1/2	38	1" Sq.	Grip	4,200	800	1,300	1,800	216~991	300~1,370	15.2	6.9	19 1/4	488	21.4	0.60	3/8	9.5
KW-3800pro(G)	1 1/2	38	1" Sq.	Grip	4,200	800	1,300	1,800	216~991	300~1,370	14.1	6.4	14 5/8	358	21.4	0.60	3/8	9.5
KW-2000P	3/4	20	3/4" Sq.	Pistol	5,000	1,000	610	850	108~420	150~580	6.8	3.1	8	200	14.2	0.40	5/8	8
KW-2800P	1 1/8	28	1" or 3/4" Sq.	Pistol	3,300	800	1,000	1,380	185~800	250~1,100	11.5	5.2	8 3/2	224	20.7	0.58	3/8	9.5
KW-3800P	1 1/2	38	1" Sq.	Pistol	3,700	700	1,300	1,800	216~991	300~1,370	16.3	7.4	10	254	21.4	0.60	3/8	9.5
KW-4500P	1 3/4	45	1" Sq.	Pistol	3,700	700	1,980	2,750	740~1,772	1,000~2,450	22.7	10.3	10 3/2	270	27.8	0.78	1/2	13
KW-4500G	1 3/4	45	1" Sq.	Grip	3,700	700	1,980	2,750	740~1,772	1,000~2,450	23.6	10.7	14 5/8	365	26.7	0.75	1/2	13
KW-5000G	2	50	1 1/2" Sq.	Grip	3,000	600	2,600	3,500	740~2,370	1,000~3,200	35.2	16.0	18 1/8	473	29.2	0.82	1/2	13

※ This tool has been designed for use with input air pressure not greater than 0.62 MPa (Pe).