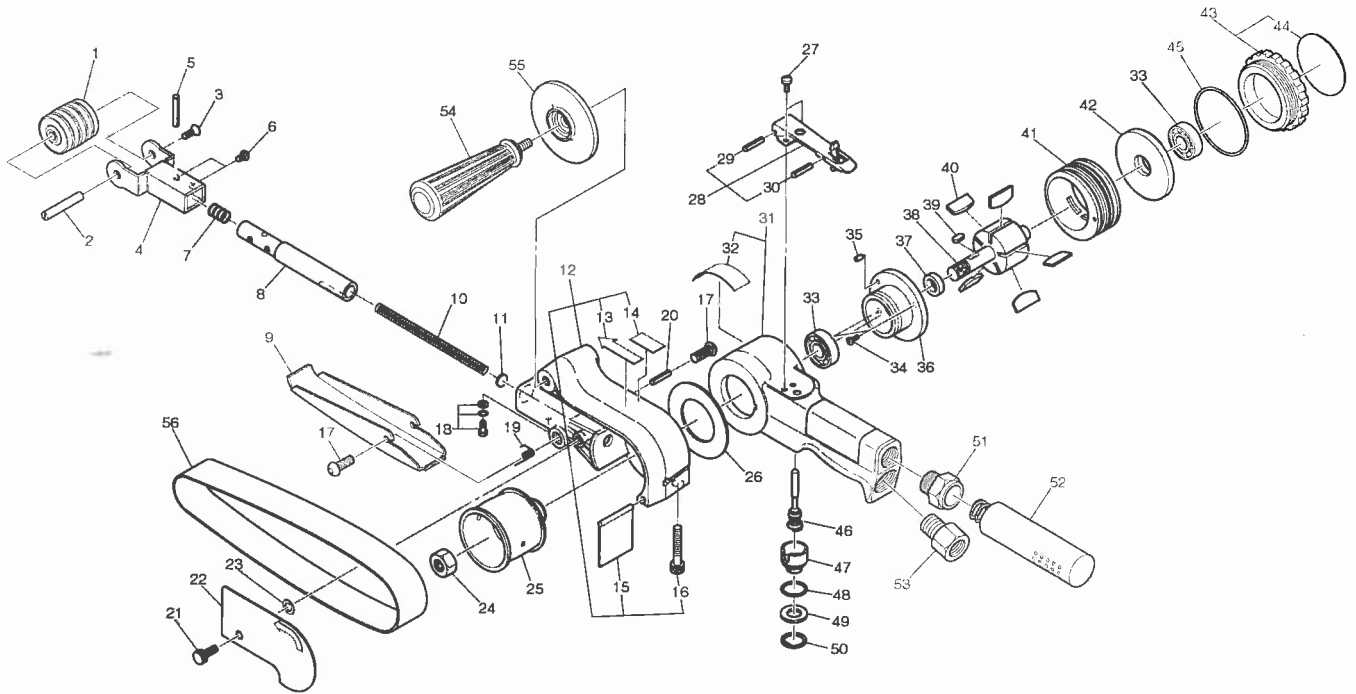


## 10.Exploded Diagram and Parts List: B-30N

### Warning

This diagram is for reference only. Do not attempt to service or repair the Nitto Pneumatic belt sander, Do not take the Tool apart. Contact an authorized Nitto dealer for all service and repair of the Tool. Improper service and repair can cause accidents and severe injuries. Never attempt to modify the Tool. Never attempt service or repair the Tool yourself.



No.	Part No.	Part Name	Q'ty	Price
1	TB08170	Idle Pulley A Ass'y	1set	
2	TQ11792	Idle Pulley Shaft	1	
3	TP16219	Hex. Countersunk Head Screw 4X10	1	
4	TB08028	Bracket Sub Ass'y	1set	
5	TP07577	Spring Pin 4X16 AW	1	
6	TP08646	Hex.Cap Screw 5X14	2	
7	TQ10526	Tension Bar Spring	1	
8	TQ11793	Tension Bar	1	
9	TQ11881	Flat Shoe	1	
10	TQ11794	Spring1.4X7.2X110	1	
11	TQ11838	Spring Guide	1	
12	TB08171	Guard Sub Ass'y B	1set	
13	(TP16360)	Label Rotation	1	
14	(TP16361)	Label Caution	1	
15	(TP04060)	Dust Cover	1	
16	(TP04073)	Hex.Cap Screw 6X35	1	
17	TP08132	Pan Head Screw 6X8	2	
18	TA92254	Key Bolt Ass'y	1set	
19	TQ11810	Shoe Spring	1	
20	TQ11997	Parallel Pin 5X16	1	
21	TQ02418	Decorative Screw 5X10	1	
22	TQ11797	Belt Cover	1	
23	TQ04426	Nylon Washer	1	
24	TP04077	Hex.Nut M12X1.5	1	
25	TQ11807	Drive Pulley	1set	
26	TP04058	Thrust Washer B 36.2X62X1	1	
27	TP06290	Pan Head Screw 4X 8	1	
28	TB01793	Throttle Lever Ass'y	1set	
29	(TP00460)	Spring Pin 3X22 AW	1	
30	(TP05498)	Spring Pin 2X16 AW	1	
31	TB08066	Housing Sub Ass'y	1set	
32	(TQ11849)	Label Warning	1	
33	TP00498	Ball Bearing 6001ZZ	2	

No.	Part No.	Part Name	Q'ty	Price
34	TQ11986	Hex. Countersunk Head Screw 4X8	2	
35	TP04061	SpringPin 3X 6 AW	1	
36	TQ11801	Lower Bearing Case	1	
37	TP04036	Spacer	1	
38	TP04032	Rotor	1	
39	TP00502	Parallel Key Both Ends Round 4X4X9.5	1	
40	TA9A215	Blade Ass'y (5pcs/set)	1set	
41	TP04031	Cylinder	1	
42	TP04035	Upper Bearing Case	1	
43	TB08065	Cap Ass'y	1set	
44	(TQ11848)	Label Model	1	
45	TQ11806	O-Ring AS568A-034	1	
46	TA93925	Valve Stem Ass'y	1set	
47	TP12405	Adjust Valve	1	
48	TP12407	O-Ring S- 15	1	
49	TP12406	Spacer 10.5X17.9X1.6	1	
50	CP00987	Internal Retaining Ring C- 18	1	
51	TP10005	Bushing PF 3/8	1	
52	TA96323	Silencer Ass'y	1set	
53	TP00857	Bushing M16XPT1/4	1	

#### Standard Accessories

No.	PartNo.	Part Name	Q'ty
54	TA91354	Sub Handle Ass'y	1set
55	TP16126	Grip Guard	1
	TP01939	Hex. Socket Screw Key 4	1
56	TQ00358	Abrasive Belt Z76X # 60X30	2
	TQ00359	Abrasive Belt Z76X # 80X30	1
	TQ00360	Abrasive Belt Z76X #100X30	1
	TQ11700	Instruction Manual	1
	TP04004	Hex. Socket Screw Key 5	1
	TP02236	Bushing PT1/4XNPT1/4	1