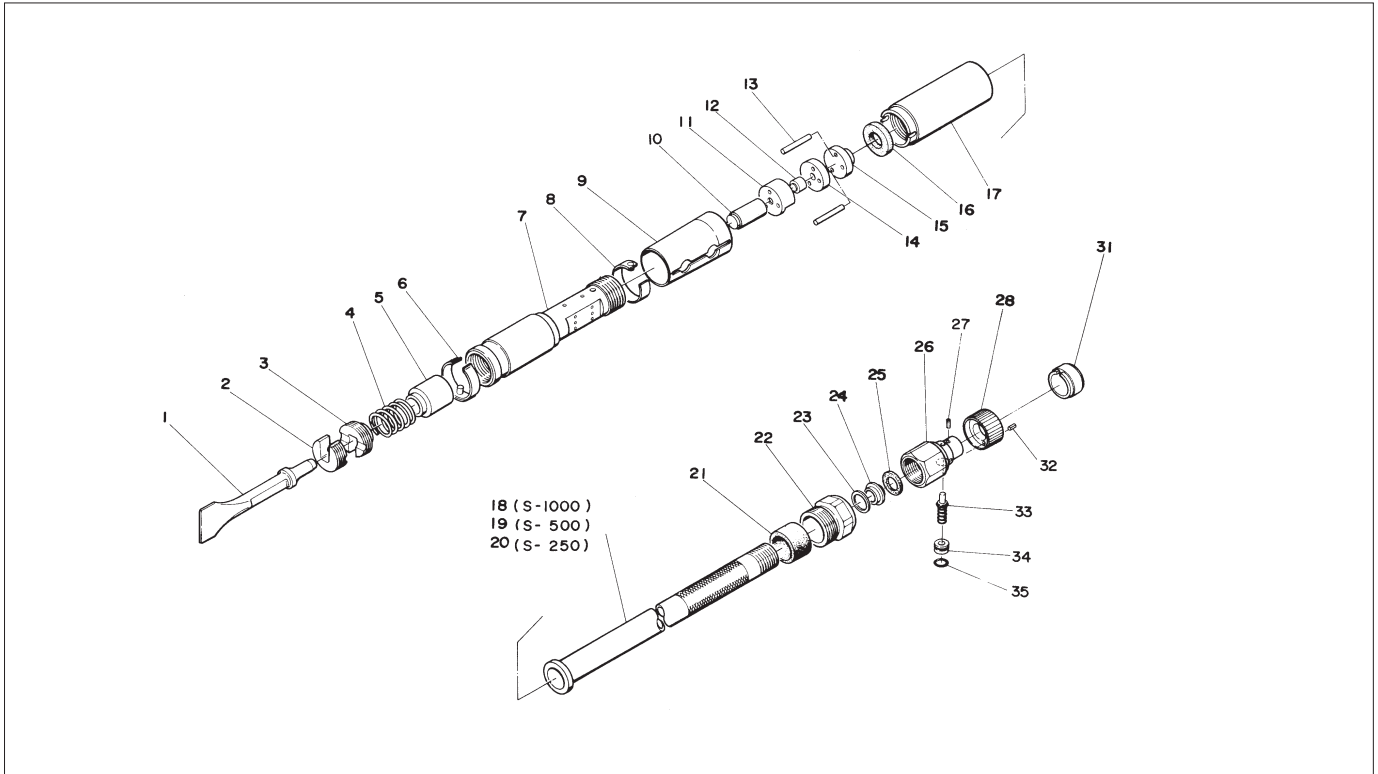


SUPER KELEN S-1000, S-500, S-250 ASSEMBLY AND PARTS LIST



The part numbers with () are included in the Ass'y parts written above them.

No.	Part No.	Part Name	Q'ty	Price
1	TP04552	Bend Scraper 38mm (2005)	1	
2	TP03938	Chisel Stopper B	1	
3	TP03619	Chisel Stopper A	1	
4	TP03618	Spring	1	
5	TP03617	Chisel Guide	1	
6	TA91302	Chisel Lock Band Ass'y	1 set	
7	TP03616	Cylinder	1	
8	TA91301	Cylinder Lock Band Ass'y	1 set	
9	TP03623	Dust Cover	1	
10	TP00597	Piston	1	
11	TP11403	Upper Valve	1	
12	TP11405	Spool	1	
13	TP03626	Pin 3 X 35	2	
14	TP11404	Lower Valve	1	
15	TP03627	Distance Piece	1	
16	TP03628	Cushion A	1	
17	TP03704	Sleeve Coupling	1	
18	TP03630	Bar for S-1000	1	
19	TP03631	Bar for S-500	1	
20	TP03650	Bar for S-250	1	
21	TP03629	Cushion B	1	
22	TP03632	Nut	1	
23	TP04324	Copper Washer 19.5 X 25 X 1	1	
24	TP04323	Washer	1	
25	TP03643	Cushion C	1	
26	TP04602	Valve Body	1	
27	TP04608	Spring Pin 4 X 10	3	
28	TP04603	Cam Ring	1	
31	TP04604	Cam Ring Supporter	1	
32	TP04609	Spring Pin 4 X 14	1	

No.	Part No.	Part Name	Q'ty	Price
33	TA91683	Throttle Valve Ass'y	1 set	
34	TP03638	Spring Seat	1	
35	TP12001	O-Ring KS-6	1	

ACCESSORIES

	TP00861	Nipple M16 X M16	1	
	TP00862	Hose Lock Nut M16	1	
	TP00863	Hose Nipple 3/8	1	